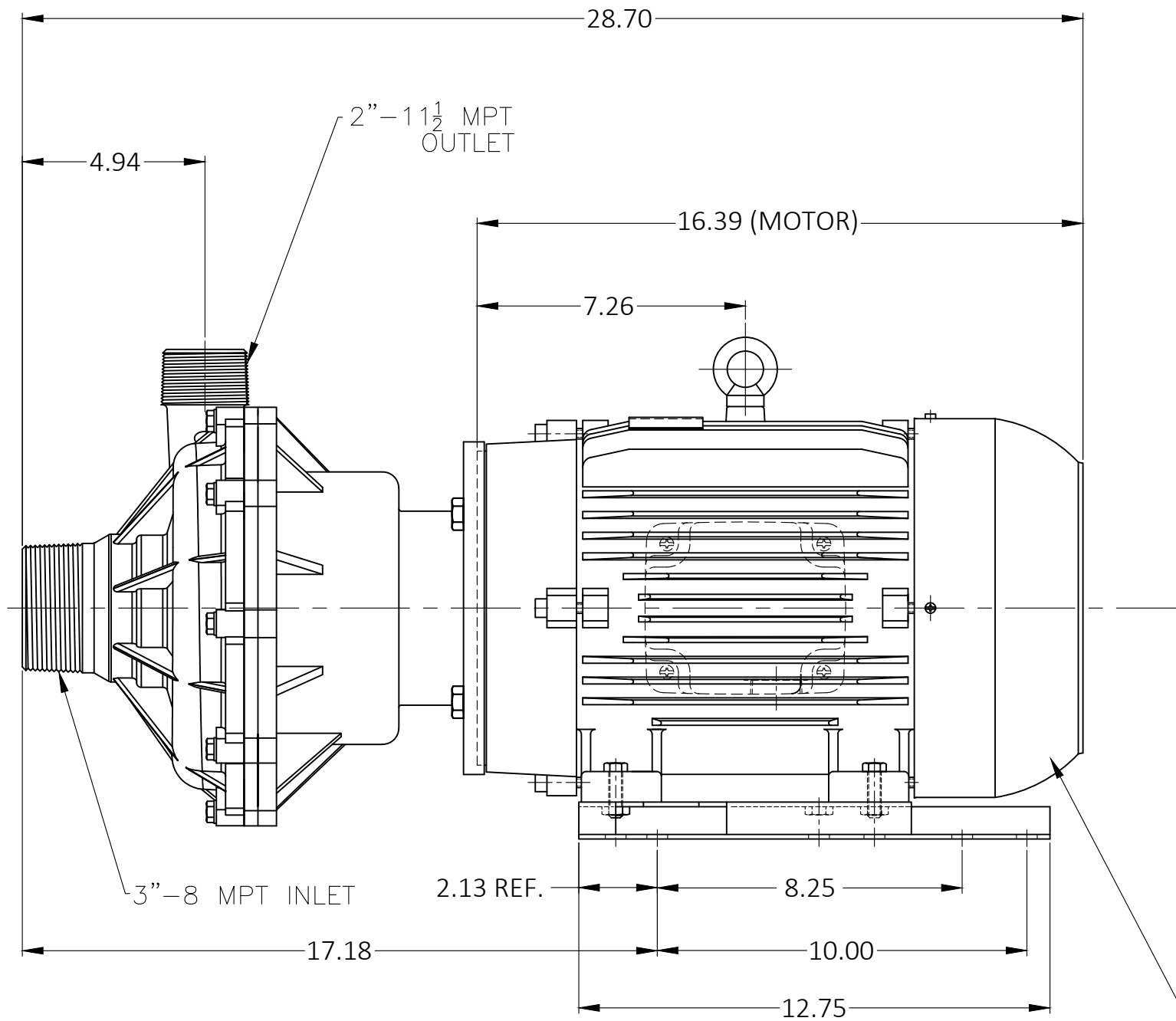


17/32 HOLE (8)  
1" NPT LEAD HOLE WITH COVER



MOTOR WEG  
0161-0012-1300  
3PH 208-230/460V 50/60HZ  
10HP TEFC 215FR

DRAWING SIZE: F-44x68  
UNLESS NOTED OTHERWISE  
ALL DIMS ARE IN INCHES.

**MARCH MFG. INC.**  
1819 PICKWICK AVE. GLENVIEW, ILLINOIS

DIMS.	TOLERANCE
0.00	±0.03
0.000	±0.005
FRACTIONS	±1/64
ANGLES	±1°

THIS DOCUMENT DISCLOSED SUBJECT MATTER IN WHICH MARCH MFG. INC. HAS PROPRIETARY RIGHTS, NEITHER RECEIPT NOR POSSESSION THEREOF CONFERS OR TRANSFERS ANY RIGHT TO REPRODUCE OR DISCLOSE THE DOCUMENT, ANY PART THEREOF, ANY INFORMATION CONTAINED THEREIN, OR ANY PHYSICAL ARTICLE OR DEVICE OR TO PRACTICE ANY METHOD OR PROCESS, EXCEPT BY WRITTEN PERMISSION FROM OR WRITTEN AGREEMENT WITH MARCH MFG. INC.

DRAWN CA	01/09/24	MOLD # ----	REV.	INITIALS	DATE	CHANGE
CHECKED HZ	01/09/24	FIXTURE # ----				
CUSTOMER ----						

PART NAME **Dimensional Assy TE-10PS-MD 3Ph 10HP 50Hz (WEG Motor)** PART # **0161-0085-0100 d1** REV. ----