



# MARCH PUMPS

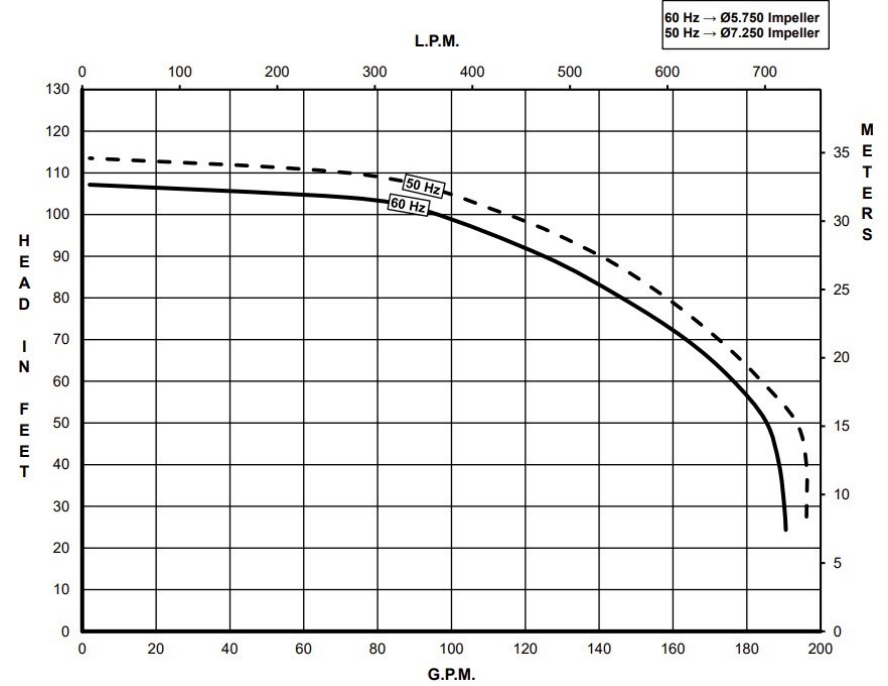
1819 PICKWICK AVE., GLENVIEW, IL 60026-1306, U.S.A  
 PHONE: (847) 729-5300 - FAX: (847) 729-7062  
 WWW.MARCHPUMP.COM

**DESCRIPTION & OPERATION:** The TE-10PS-MD and TE-10KS-MD are magnetic drive pumps, eliminating the need for a shaft seal. Pumps are serviceable with an adjustable wrench. Screws should be tightened in sequence & uniformly. See the parts list for a breakdown of parts. Pumps are not self-priming, lack a suction lift, and thus require a **flooded suction**. Pumps **cannot be run dry** because the impeller requires the liquid being pumped for lubrication. The direction of motor rotation should be clockwise when facing the inlet of the pump. For liquids with a specific gravity greater than water, have a higher viscosity, or for elevated temperatures, a trimmed impeller may be necessary. For application assistance, contact March Pump.

**ELECTRICAL:** The motor is TEFC (Totally Enclosed Fan Cooled), U.L. listed, rated for continuous duty, and has a conduit box for electrical connections.

**CAUTION IN ASSEMBLY & DISASSEMBLY:** See the Assembly and Disassembly Manual.

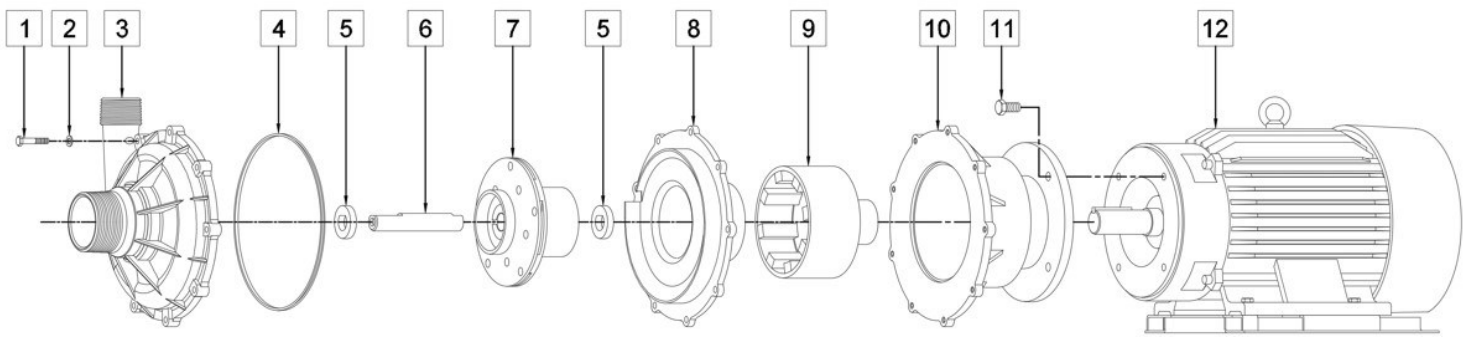
## TE-10PS-MD, TE-10KS-MD



Specifications		TE-10PS-MD 60Hz	TE-10KS-MD 60Hz	TE-10PS-MD 50Hz	TE-10KS-MD 50Hz
	3Ph	0161-0084-0100	0161-0084-0200	0161-0085-0100	0161-0085-0200
Inlet-Outlet		3"MPT x 2"MPT	3"MPT x 2"MPT	3"MPT x 2"MPT	3"MPT x 2"MPT
Max Internal Pressure		160PSI (1103 kPa)	160PSI (1103 kPa)	160PSI (1103 kPa)	160PSI (1103 kPa)
Max Liquid Temperature		190F (87C)	190F (87C)	190F (87C)	190F (87C)

Model	60Hz											50Hz										
	Max Flow		Max Head			Electrical						Max Flow		Max Head			Electrical					
	GPM	LPM	FT	PSI	M	Ph	V	A	HP	kW	RPM	GPM	LPM	Feet	PSI	M	Ph	V	A	HP	kW	RPM
TE-10PS-MD	190	719	107	46.3	32.6	3	230/460	23.2/11.6	10	7.46	3450	738	741	113	48.9	34.4	3	380	14.1	10	7.46	2850
TE-10KS-MD	190	719	107	46.3	32.6	3	230/460	23.2/11.6	10	7.46	3450	738	741	113	48.9	34.4	3	380	14.1	10	7.46	2850

All specifications & data are based on pumping water & are intended as a guideline only. Specifications may vary with different motors.



TE-10PS-MD 60Hz				TE-10KS-MD 60Hz			
Item	Part Number	QTY REQ	Description	Item	Part Number	QTY REQ	Description
1	0160-0029-1000	9	5/16"-18 x 1-3/4" Lg. Screw (Stainless)	1	0160-0029-1000	9	5/16"-18 x 1-3/4" Lg. Screw (Stainless)
2	0160-0030-1000	9	5/16"ID x 5/8" OD Washer (Stainless)	2	0160-0030-1000	9	5/16"ID x 5/8" OD Washer (Stainless)
3	0161-0073-1000	1	Front Housing (316 Stainless Steel)	3	0161-0073-1000	1	Front Housing (316 Stainless Steel)
4	0161-0043-1000	1	9.750"ID x 10" OD Gasket (Viton)	4	0161-0043-1000	1	9.750"ID x 10" OD Gasket (Viton)
5	0161-0001-1000	2	Front & Rear Thrust Washer (Ceramic)	5	0161-0001-1000	2	Front & Rear Thrust Washer (Ceramic)
6	0161-0002-1000	1	Shaft (Ceramic)	6	0161-0002-1000	1	Shaft (Ceramic)
7	0161-0089-0000	1	5.75 Inch Diameter Impeller with Carbon Bushings (Polypropylene)	7	0161-0091-0000	1	5.75 Inch Diameter Impeller with Carbon Bushings (Glass Filled Kynar)
8	0161-0074-1000	1	Rear Housing (316 Stainless Steel)	8	0161-0074-1000	1	Rear Housing (316 Stainless Steel)
9	0161-0031-0100	1	Drive Magnet	9	0161-0031-0100	1	Drive Magnet
10	0161-0007-0010	1	Motor Bracket	10	0161-0007-0010	1	Motor Bracket
11	0160-0031-1000	4	1/2"-13 x 1"Lg. Screw (Stainless)	11	0160-0031-1000	4	1/2"-13 x 1"Lg. Screw (Stainless)
12	0161-0012-1000	1	TEFC Motor, 10HP, 230/460V, 3 Phase, 50/60Hz	12	0161-0012-1000	1	TEFC Motor, 10HP, 230/460V, 3 Phase, 50/60Hz
TE-10PS-MD 50Hz				TE-10KS-MD 50Hz			
1	0160-0029-1000	9	5/16"-18 x 1-3/4" Lg. Screw (Stainless)	1	0160-0029-1000	9	5/16"-18 x 1-3/4" Lg. Screw (Stainless)
2	0160-0030-1000	9	5/16"ID x 5/8" OD Washer (Stainless)	2	0160-0030-1000	9	5/16"ID x 5/8" OD Washer (Stainless)
3	0161-0073-1000	1	Front Housing (316 Stainless Steel)	3	0161-0073-1000	1	Front Housing (316 Stainless Steel)
4	0161-0043-1000	1	9.750"ID x 10" OD Gasket (Viton)	4	0161-0043-1000	1	9.750"ID x 10" OD Gasket (Viton)
5	0161-0001-1000	2	Front & Rear Thrust Washer (Ceramic)	5	0161-0001-1000	2	Front & Rear Thrust Washer (Ceramic)
6	0161-0002-1000	1	Shaft (Ceramic)	6	0161-0002-1000	1	Shaft (Ceramic)
7	0161-0053-0300	1	7.25 Inch Diameter Impeller with Carbon Bushings (Polypropylene)	7	0161-0005-0400	1	7.25 Inch Diameter Impeller with Carbon Bushings (Glass Filled Kynar)
8	0161-0074-1000	1	Rear Housing (316 Stainless Steel)	8	0161-0074-1000	1	Rear Housing (316 Stainless Steel)
9	0161-0031-0100	1	Drive Magnet	9	0161-0031-0100	1	Drive Magnet
10	0161-0007-0010	1	Motor Bracket	10	0161-0007-0010	1	Motor Bracket
11	0160-0031-1000	4	1/2"-13 x 1"Lg. Screw (Stainless)	11	0160-0031-1000	4	1/2"-13 x 1"Lg. Screw (Stainless)
12	0161-0012-1000	1	TEFC Motor, 10HP, 230/460V, 3 Phase, 50/60Hz	12	0161-0012-1000	1	TEFC Motor, 10HP, 230/460V, 3 Phase, 50/60Hz

2 Guide Pins, 2 Screws, and 2 Wooden Boards are provided for assembly and disassembly for all variations . Do not discard.

NOTE: Contact Factory for other materials and/or parts not listed.

Special voltage motors are available upon special order.

**Materials in contact with the liquid: TE-10PS-MD:** 316 Stainless Steel, Polypropylene, Carbon, Viton, Ceramic

**TE-10KS-MD:** 316 Stainless Steel, Glass Filled Kynar, Carbon, Viton, Ceramic

**LIMITED WARRANTY:** March pumps are guaranteed only against defects in workmanship or materials for a period of one year from date of manufacture pumping water. For the complete warranty and to register online go to [www.marchpump.com/warranty-registration](http://www.marchpump.com/warranty-registration)