



# MARCH PUMPS

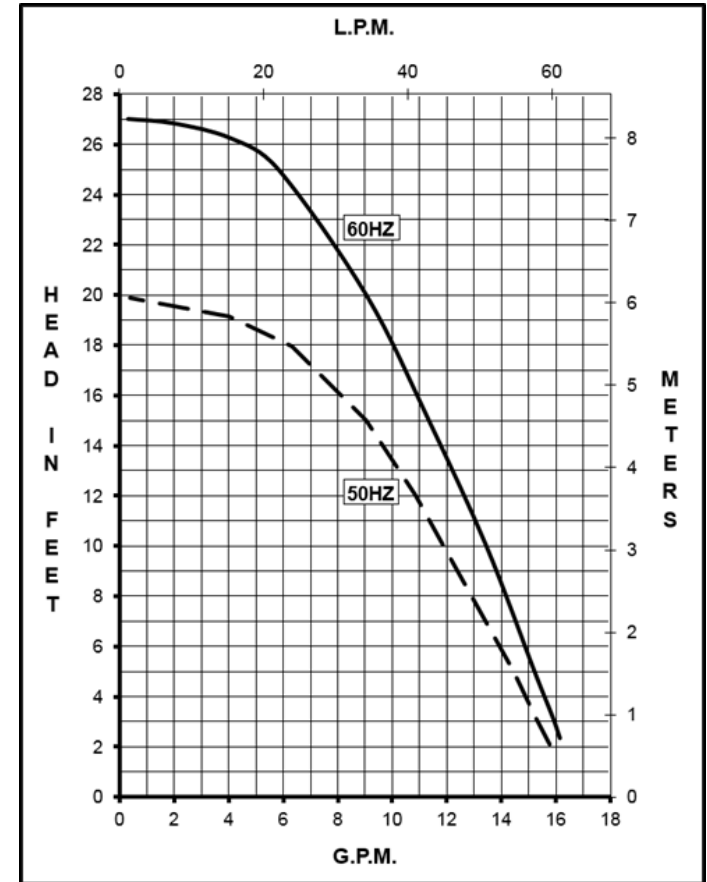
1819 PICKWICK AVE., GLENVIEW, IL 60026-1306, U.S.A  
 PHONE: (847) 729-5300 - FAX: (847) 729-7062  
 WWW.MARCHPUMP.COM

**DESCRIPTION:** [Series 5 are centrifugal magnetic drive pumps](#), eliminating the need for a shaft seal. All are serviceable with a screwdriver.

**OPERATION:** Pumps are not self-priming, lack a suction lift, and thus require a **flooded suction**. Pumps **cannot be run dry** because the impeller requires the liquid being pumped for lubrication. For liquids with a specific gravity greater than water, have a higher viscosity, or for elevated temperatures, a trimmed impeller may be necessary. For application assistance, contact March Pump.

**ELECTRICAL:** The AC-5M-MD has a 115V or 230 Volt Motor and both have a 6 foot cord. Motors have U.L. listed motors, which are rated for continuous duty. The AC-5M-MD is Ignition Protected per SAE J1171 and ISO 8846.

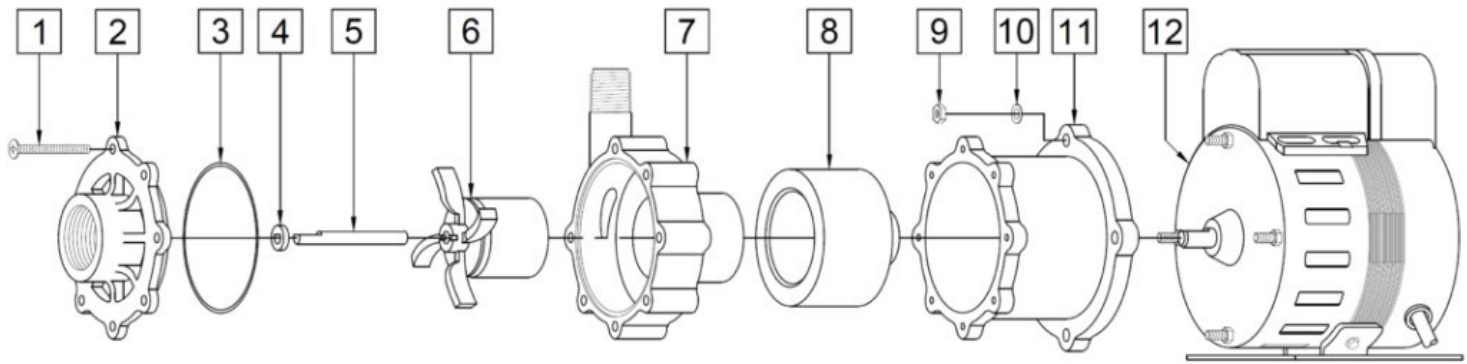
## AC-5M-MD with Broad Ocean Motor



Specifications		AC-5M-MD
Product	115V	0150-0251-0100
	230V	0150-0252-0100
Inlet-Outlet		1" FPT- 1/2" MPT
Max Internal Pressure		50PSI (344 kPa)
Max Liquid Temperature		190F (87C)

Model	60Hz										50Hz									
	Max Flow		Max Head			Electrical					Max Flow		Max Head			Electrical				
	GPM	LPM	FT	PSI	M	Ph	V	A	HP	kW	GPM	LPM	Feet	PSI	M	Ph	V	A	HP	kW
AC-5M-MD	17	64.4	27	11.7	8.2	1	115 or 230	1.85 or 0.91	1/6	0.12	15.9	60	19.7	8.5	6	1	115 or 230	1.76 or 0.83	1/8	0.093

All specifications & data are based on pumping water & are intended as a guideline only. Specifications may vary with different motors.



**AC-5M-MD**

Item	Part Number	QTY REQ	Description
1	0150-0021-1000	7	#8-32 x 1-3/4 Lg. (Stainless)
2	0150-0248-1000	1	Cover with 1" FPT Inlet (Noryl)
3	0750-0987-1000	1	0.078 CS x 2.834 ID O Ring (Buna N)
4	0130-0028-1000	1	Thrust Washer (Ceramic)
5	0130-0024-1000	1	Shaft (Ceramic)
6	0150-0030-0700	1	Impeller with Carbon Bushing and Ceramic Magnet (Polypropylene, Carbon, Ceramic Magnet)
7	0150-0031-0100	1	Rear Housing with 1/2" MPT Outlet and Ceramic Thrust Washer (Polypropylene and Ceramic)
8	0150-0081-0100	1	Drive Magnet
9	0625-0024-1000	4	#10-32 Hex Nut (Stainless)
10	0802-0006-1000	4	#10 Washer (Stainless)
11	0150-0070-0100	1	Motor Bracket (Plastic)
12	0150-0288-1000	1	Motor, 115V, 50/60Hz
12	0150-0289-1000	1	Motor, 230V, 50/60Hz

NOTE: Contact Factory for other materials and/or parts not listed.  
Special voltage motors are available upon special order.

**Materials in contact with the liquid:** Polypropylene, Noryl, Ceramic, Buna N, Carbon, and Ceramic Magnet

**WARRANTY:** <https://www.marchpump.com/about/warranty/>

For the General Installation Manual, see this link <https://www.marchpump.com/wp-content/uploads/2019/07/march-pump-general-installation-guide-0750-040.pdf>  
Or Scan QR Code



0150-0318-1300