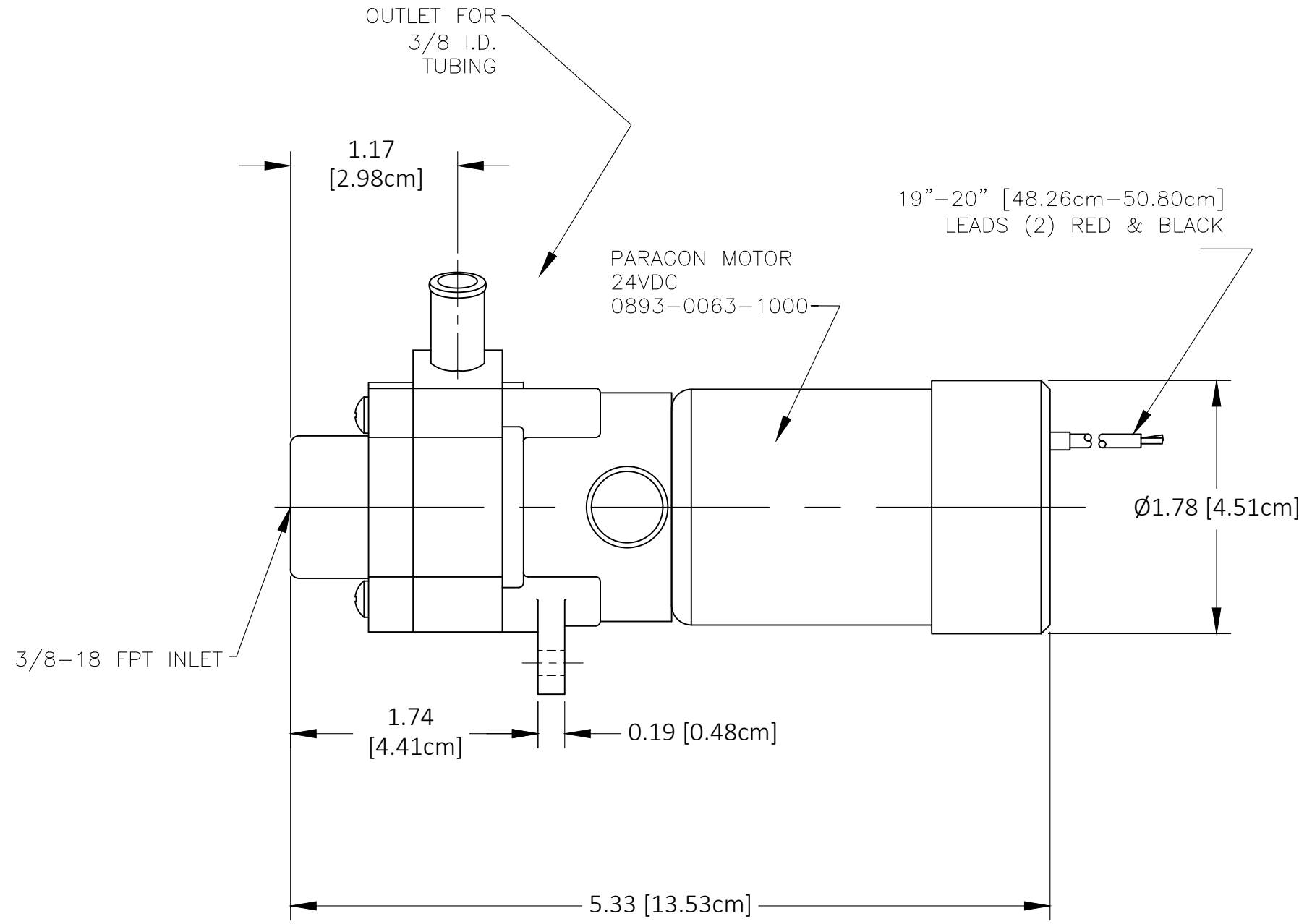
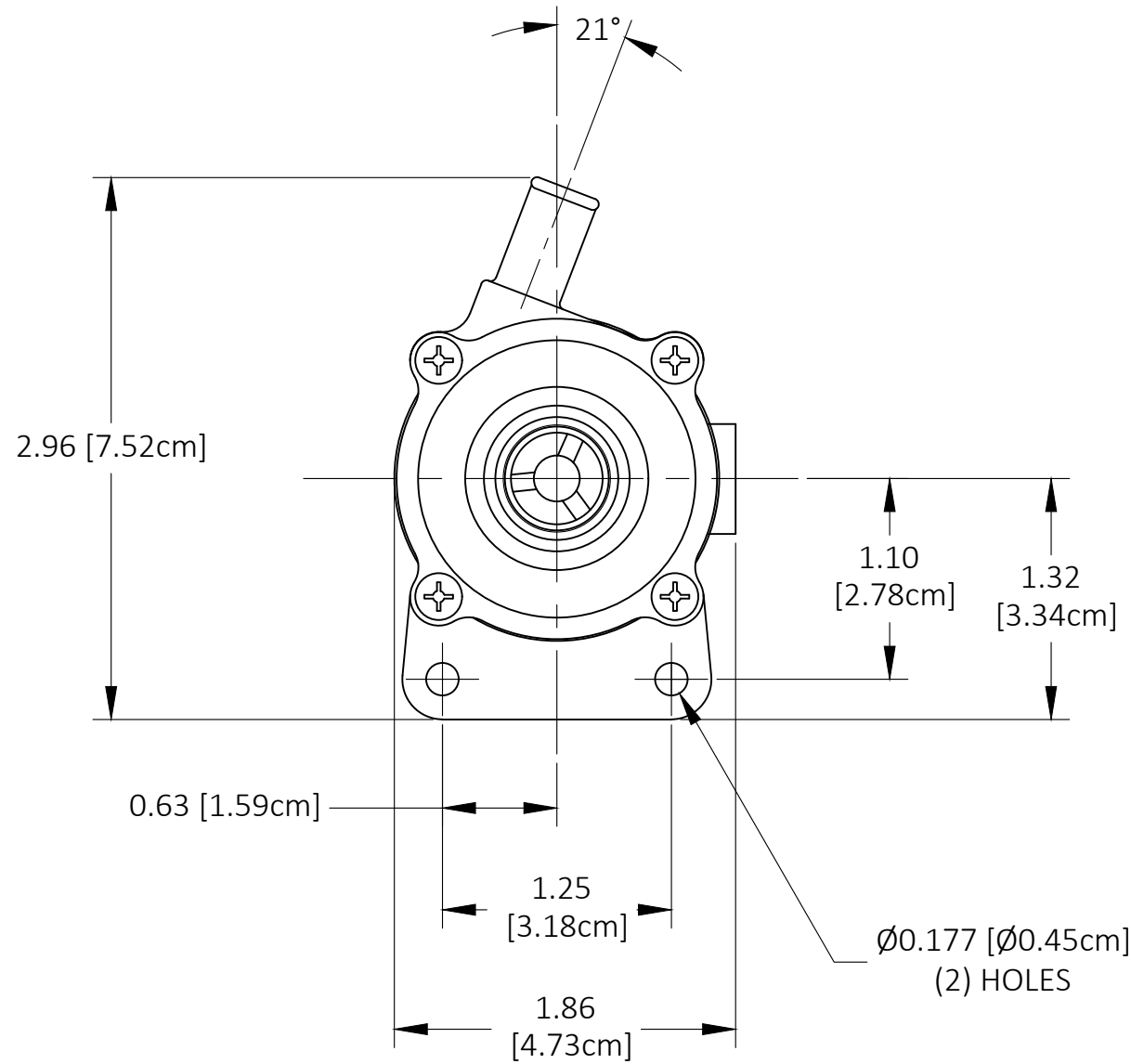


A

B

C

D



Packed Weight: 1.03 lbs / 0.467 kg  
Unit Weight: 0.81 lbs / 0.367 kg

DRAWING SIZE: B-11x17	
UNLESS NOTED OTHERWISE ALL DIMS ARE IN INCHES.	
DIMS.	TOLERANCE
X.XX	±0.03
X.XXX	±0.005
ANGLES	±1°

**MARCH MFG. INC.** 1819 PICKWICK AVE. GLENVIEW, ILLINOIS

THIS DOCUMENT DISCLOSED SUBJECT MATTER IN WHICH MARCH MFG. INC. HAS PROPRIETARY RIGHTS, NEITHER RECEIPT NOR POSSESSION THEREOF CONFERS OR TRANSFERS ANY RIGHT TO REPRODUCE OR DISCLOSE THE DOCUMENT, ANY PART THEREOF, ANY INFORMATION CONTAINED THEREIN, OR ANY PHYSICAL ARTICLE OR DEVICE OR TO PRACTICE ANY METHOD OR PROCESS, EXCEPT BY WRITTEN PERMISSION FROM OR WRITTEN AGREEMENT WITH MARCH MFG. INC.

PART NAME Pump Assy 893-16 24VDC Brushless (IP55) Paragon Motor

DRAWN CA	05/24/21	MOLD # ----
CHECKED HZ	05/24/21	FIXTURE # ----
CUSTOMER ----		
MATERIAL ----		

REV.	INITIALS	DATE	CHANGE
PART # 0893-0082-0100 d1			REV. ----

A

B

C

D