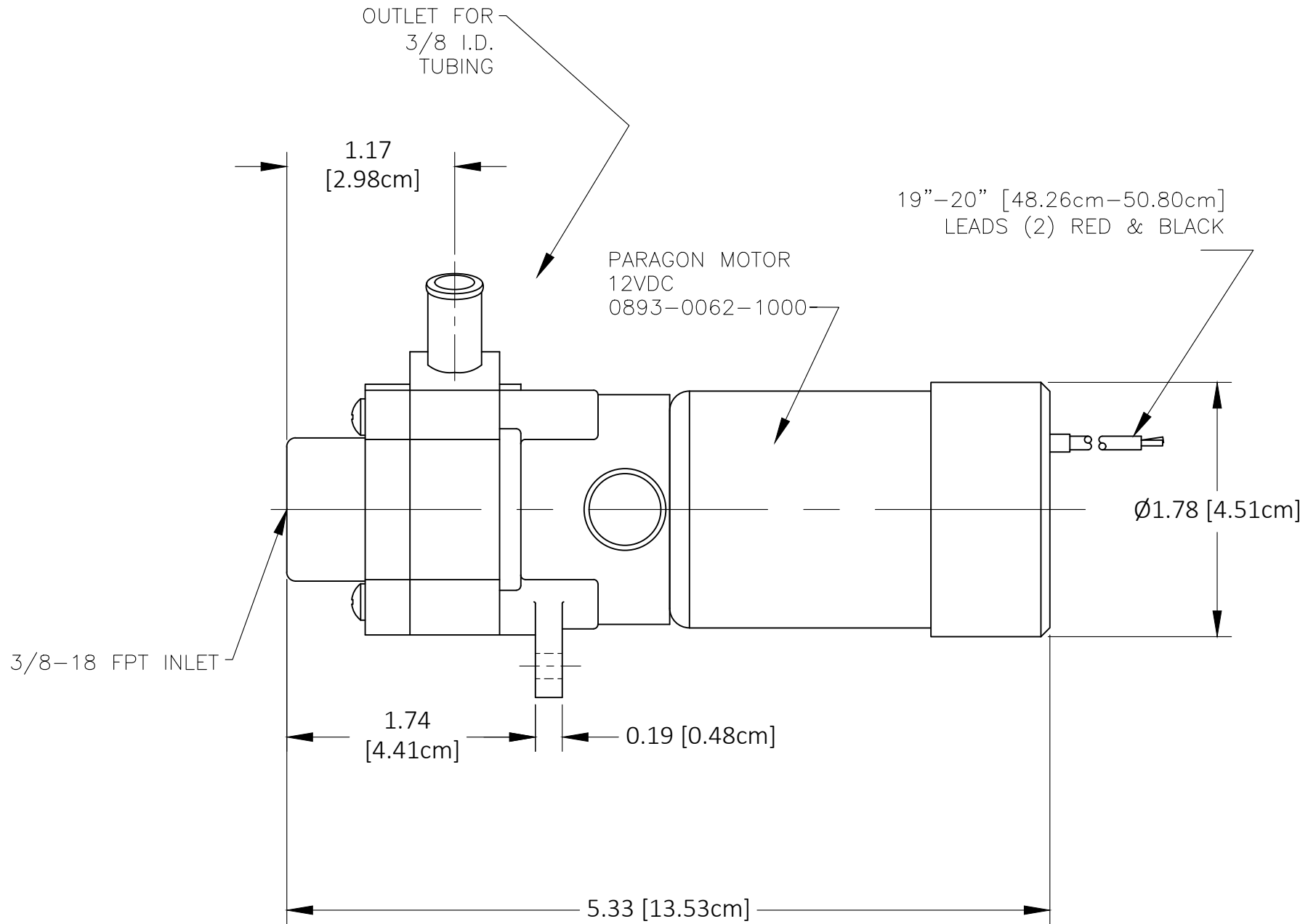
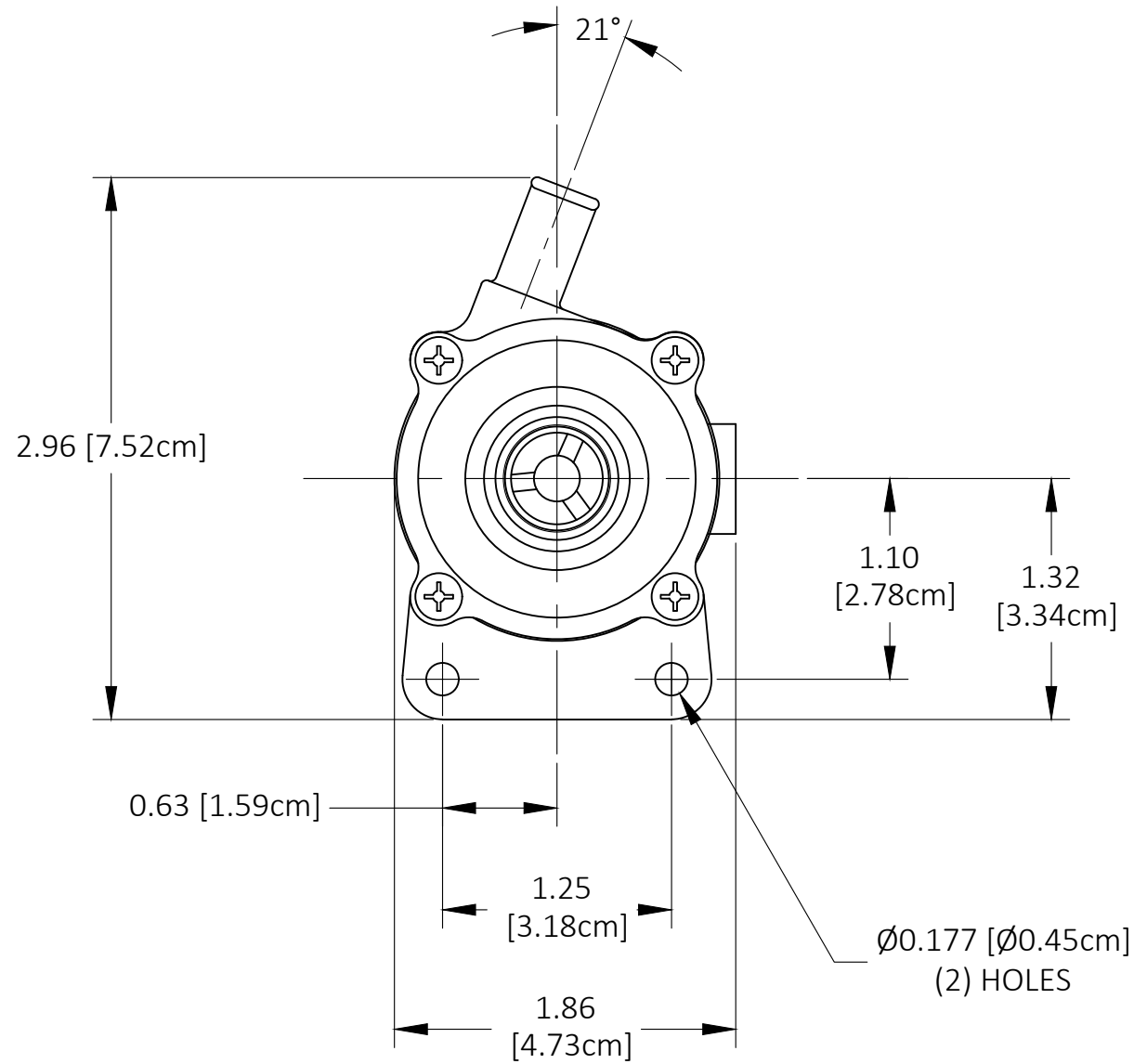


A

B

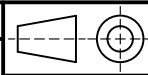
C

D



Packed Weight: 1.03 lbs / 0.467 kg
Unit Weight: 0.81 lbs / 0.367 kg

DRAWING SIZE: B-11x17



MARCH MFG. INC.

1819 PICKWICK AVE.
GLENVIEW, ILLINOIS

UNLESS NOTED OTHERWISE
ALL DIMS ARE IN INCHES.

THIS DOCUMENT DISCLOSED SUBJECT MATTER IN WHICH MARCH MFG. INC. HAS PROPRIETARY RIGHTS, NEITHER RECEIPT NOR POSSESSION THEREOF CONFERS OR TRANSFERS ANY RIGHT TO REPRODUCE OR DISCLOSE THE DOCUMENT, ANY PART THEREOF, ANY INFORMATION CONTAINED THEREIN, OR ANY PHYSICAL ARTICLE OR DEVICE OR TO PRACTICE ANY METHOD OR PROCESS, EXCEPT BY WRITTEN PERMISSION FROM OR WRITTEN AGREEMENT WITH MARCH MFG. INC.

DRAWN CA	05/24/21	MOLD # ----
CHECKED HZ	05/24/21	FIXTURE # ----
CUSTOMER ----		
MATERIAL ----		

DIMS.	TOLERANCE
X.XX	±0.03
X.XXX	±0.005
ANGLES	±1°

PART NAME Pump Assy 893-15 12VDC Brushless (IP55) Paragon Motor

REV.	INITIALS	DATE	CHANGE

PART # 0893-0081-0100 d1

REV. ----

A

B

C

D