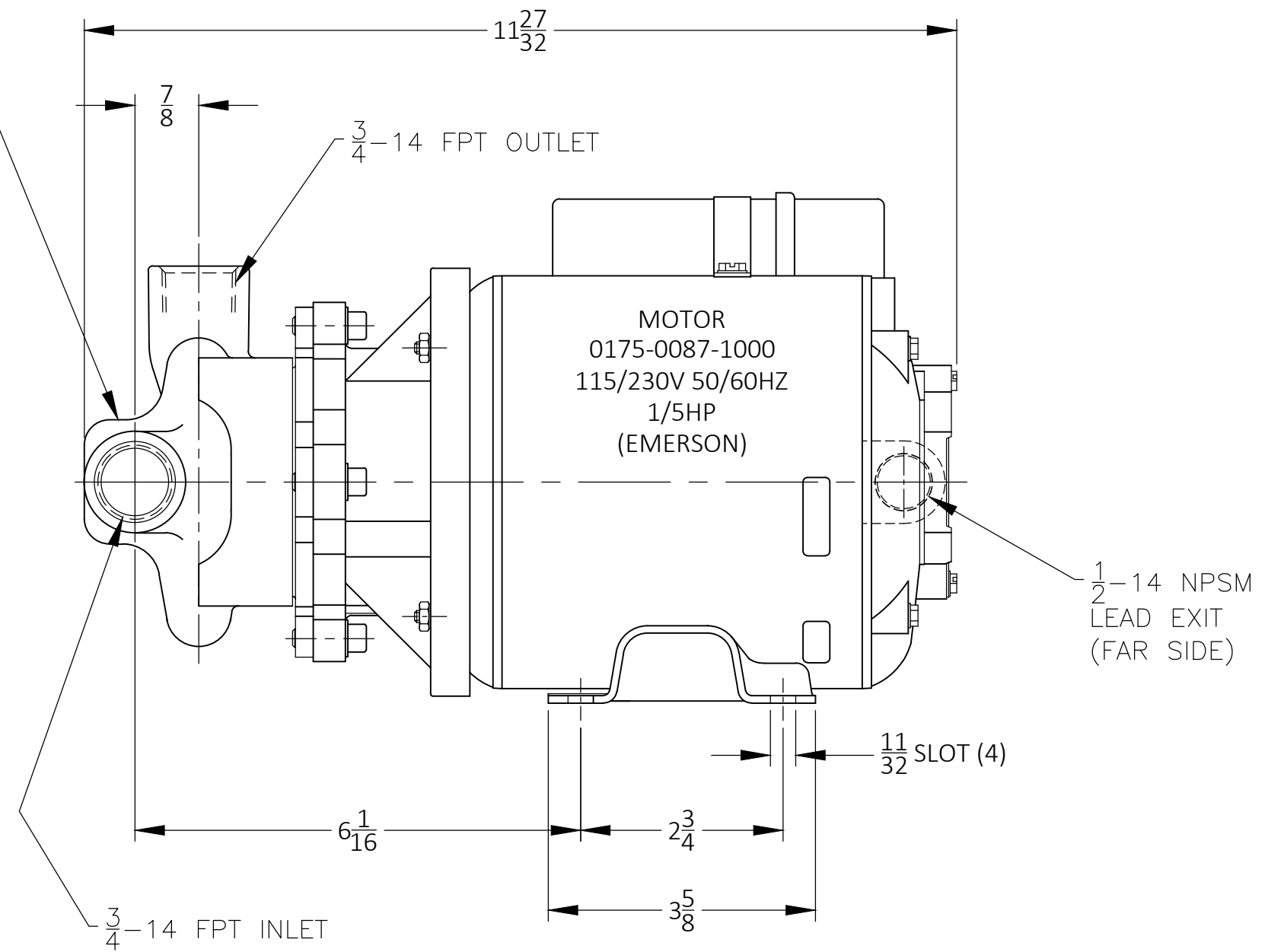


BRONZE PUMP HOUSING



MOTOR  
0175-0087-1000  
115/230V 50/60HZ  
1/5HP  
(EMERSON)

1/2-14 NPSM  
LEAD EXIT  
(FAR SIDE)

18GA. WIRES:  
(1) BLACK  
(1) WHITE  
(1) GREEN/YELLOW

UNLESS NOTED OTHERWISE ALL DIMS ARE IN INCHES.	
DIMS.	TOL.
0.000	±0.005
0.00	±0.03
FRACTIONS	±1/64
ANGLES	±1°

**MARCH MFG. INC.**  
1819 PICKWICK AVE. GLENVIEW, ILLINOIS

PART NAME: Dimensional Assy 830-SS-T 115/230V 50/60HZ

DRAWN	HZ	2/21/19	DRAWING SIZE	D-22x34
CHECKED	Dr TZ	2/21/19	MOLD #	
APPROVED			FIXTURE #	
FINISH			TOOL #	
MATERIAL			PART NUMBER	0175-0093-0100 d1

CUSTOMER	
CUSTOMER #	
REVISION	

THIS DOCUMENT DISCLOSED SUBJECT MATTER IN WHICH MARCH MFG. INC. HAS PROPRIETARY RIGHTS, NEITHER RECEIPT NOR POSSESSION THEREOF CONFERS OR TRANSFERS ANY RIGHT TO REPRODUCE OR DISCLOSE THE DOCUMENT, ANY PART THEREOF, ANY INFORMATION CONTAINED THEREIN, OR ANY PHYSICAL ARTICLE OR DEVICE OR TO PRACTICE ANY METHOD OR PROCESS, EXCEPT BY WRITTEN PERMISSION FROM OR WRITTEN AGREEMENT WITH MARCH MFG. INC.

REV.	INITIALS	DATE	E.C.O.	CHANGE