



MARCH PUMPS

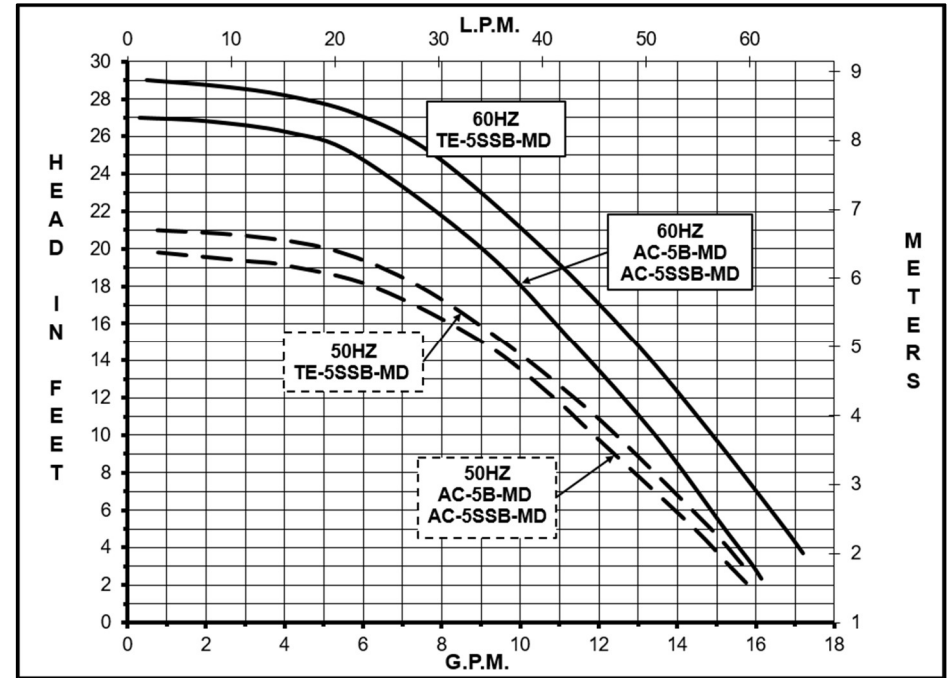
1819 PICKWICK AVE., GLENVIEW, IL 60026-1306, U.S.A
 PHONE: (847) 729-5300 - FAX: (847) 729-7062
 WWW.MARCHPUMP.COM

BEER PUMPS 5 Series

DESCRIPTION: The March beer pump is a non-self-priming magnetic drive unit built specifically to handle hot wort and water. The unit requires liquid being pumped to lubricate the internal parts. If the pump is run dry for a period of time the impeller and shaft may become damaged. To regulate the flow use a valve on the discharge/outlet.

ELECTRICAL: AC-5B-MD and AC-5SSB-MD have an air cooled 1 phase motor that is either 115 Volt or 230 Volt, 50/60 Hz and a 3 ft. cord. TE-5SSB-MD has a dual 115/230 Volt, 50/60 Hz, 1 phase TEFC motor with a conduit box.

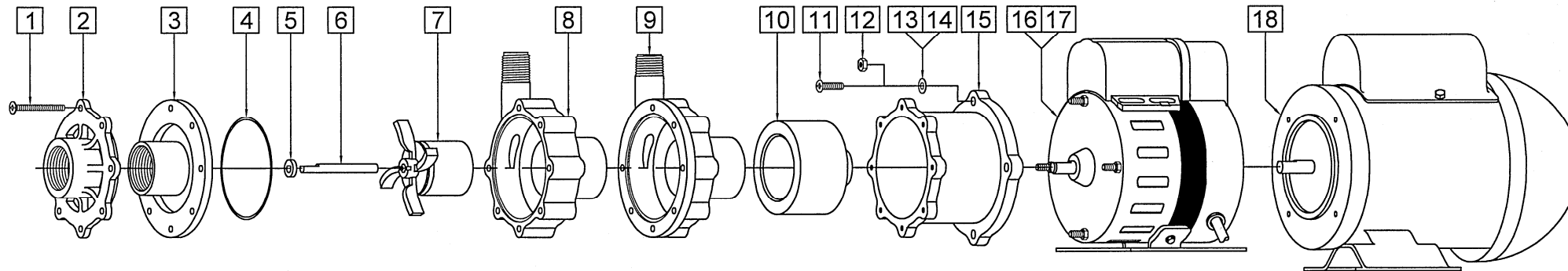
LIMITED WARRANTY: March pumps are guaranteed only against defects in workmanship or materials for a period of one year from date of manufacture pumping water. Register online at www.marchpump.com/warranty-registration



SPECIFICATIONS	AC-5B-MD										AC-5SSB-MD										TE-5SSB-MD																																						
Product #	115 V	0150-0202-0100										0150-0208-0100										0150-0214-0700																																					
	230 V	0150-0202-0200										0150-0208-0200																																															
	Dual																																																										
Inlet - Outlet	1" Female Pipe Thread - 1/2" Male Pipe Thread										1" Female Pipe Thread - 1/2" Male Pipe Thread										1" Female Pipe Thread - 1/2" Male Pipe Thread																																						
Max Internal Pressure	50 psi / 3.4 bar										200 psi / 13 bar										200 psi / 13 bar																																						
Max Liquid Temperature	250 °F / 121 °C										250 °F / 121 °C										250 °F / 121 °C																																						
MODEL	60 Hz										50 Hz										Height		Width		Length		Packed Weight																																
	Max Flow gpm lpm	Max Head			ELECTRICAL					Max Flow gpm lpm	Max Head			ELECTRICAL					Inches	cm	Inches	cm	Inches	cm	lbs	kg																																	
AC-5B-MD	17 64.4	27	11.7	8.23	1	115	2.1	1/8	0.092	3450	15.85	60	19.68	8.53	6	1	115	2.1	0.126	0.093	2850	6.19	15.7	4.52	11.4	9.27	23.5	9.5	4.3																														
						230	1										230	1										9.5	4.3																														
AC-5SSB-MD	17 64.4	27	11.7	8.23	1	115	2.1	1/8	0.092	3450	15.85	60	19.68	8.53	6	1	115	2.1	0.126	0.093	2850	6.19	15.7	4.52	11.4	9.27	23.5	12.5	5.6																														
						230	1										230	1										12.5	5.6																														
TE-5SSB-MD	18 68.1	29	12.5	8.84	1	115	2.6	0.2	0.147	3450	15.98	60.5	20.66	8.96	6.3	1	110	2.6	0.162	0.119	2850	6.89	17.5	7.26	18.4	12.61	32.0	21.95	9.95																														
						230	1.3										220	1.3										21.95	9.95																														

All specifications & data are based on pumping water & are intended as a guideline only. Specifications may vary with different motors.

PARTS LIST



#	DESCRIPTION	MATERIAL	SIZE (Inches)	QTY.	AC-5B-MD	AC-5SSB-MD	TE-5SSB-MD
1	Screw	Stainless	#8-32 x 1-3/4 Lg.	7		0150-0021-1000	
2	Cover	Polysulfone		1	0150-0189-1000		
3	Cover	Stainless		1		0150-0111-0010	0150-0111-0010
4	"O" Ring	Buna-N		1		0750-0981-1000	
5	Thrust Washer	Ceramic		1		0130-0028-1000	
6	Shaft	Stainless		1		0939-0003-1000	
7	Impeller w/Shell & Carbon Bushing	Polysulfone/Stainless		1		0150-0173-0300	
8	Rear Housing	Polysulfone/Ceramic	w/Thrust Washer	1	0150-0203-0100		
9	Rear Housing	Stainless		1		0150-0110-0010	0150-0110-0010
10	Drive Magnet	Plastic		1	0150-0081-0100	0150-0081-0100	0150-0176-0300
11	Screw	Stainless	#10-32 x 3/4 Lg.	4			0150-0050-1000
12	Hex Nut	Stainless	#10-32	4	0625-0024-1000	0625-0024-1000	
13	Washer	Stainless	#10	4			0150-0051-1000
14	Lock Washer	Stainless	#10 Internal Tooth	4	0802-0006-1000	0802-0006-1000	
15	Motor Bracket	Plastic		1	0150-0070-0100	0150-0126-0100	0150-0126-0100
16	Motor 115 V, 50/60 Hz w/base	3 foot cord		1	0150-0027-1000	0150-0027-1000	
17	Motor 230 V, 50/60 Hz w/base	3 foot cord		1	0150-0040-1000	0150-0040-1000	
18	Motor, (WEG) TEFC, 115/230 V, 50/60 Hz			1			0150-0213-1000

NOTE: Contact Factory for other materials and/or parts not listed.

0750-0976-1100 R2