



MARCH PUMPS

1819 PICKWICK AVE., GLENVIEW, IL 60026-1306, U.S.A
 PHONE: (847) 729-5300 - FAX: (847) 729-7062
 WWW.MARCHPUMP.COM

DESCRIPTION:

Series 5 are centrifugal magnetic drive pumps, eliminating the need for a shaft seal. All are serviceable with a screwdriver.

OPERATION:

Pumps are not self-priming, lack a suction lift, and thus require a **flooded suction**. Pumps **cannot be run dry** because the impeller requires the liquid being pumped for lubrication. For liquids with a specific gravity greater than water, have a higher viscosity, or for elevated temperatures, a trimmed impeller may be necessary. For application assistance, contact March Pump.

ELECTRICAL:

Models are dual voltage 115 Volt / 230 Volt and have a conduit box. Models have a U.L. listed motor, which is rated for continuous duty.

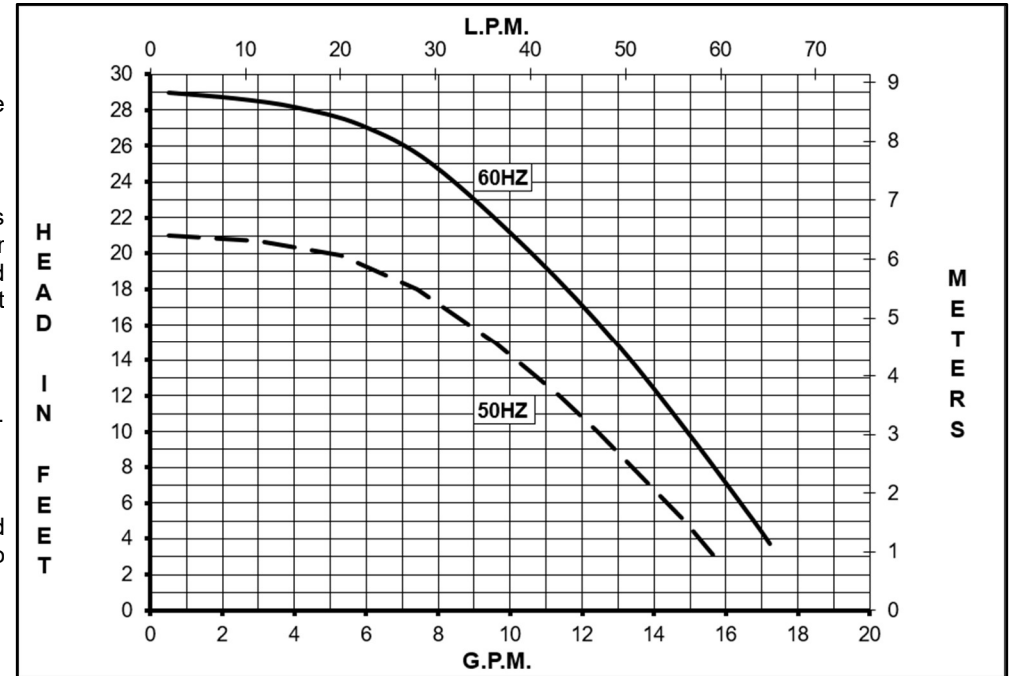
LIMITED WARRANTY:

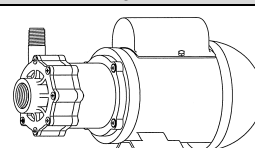
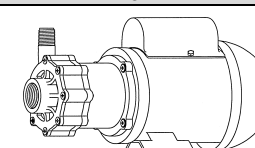
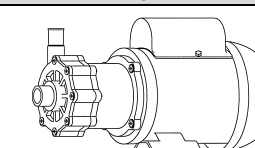
March pumps are guaranteed only against defects in workmanship or materials for a period of one year from date of manufacture pumping water. For the complete warranty and to register online go to www.marchpump.com/warranty-registration

Model Abbreviations:

C/K: Threaded Inlet/Outlet, A: Smooth Inlet/Outlet, K: Kynar,
 TE: Totally Enclosed Fan Cooled

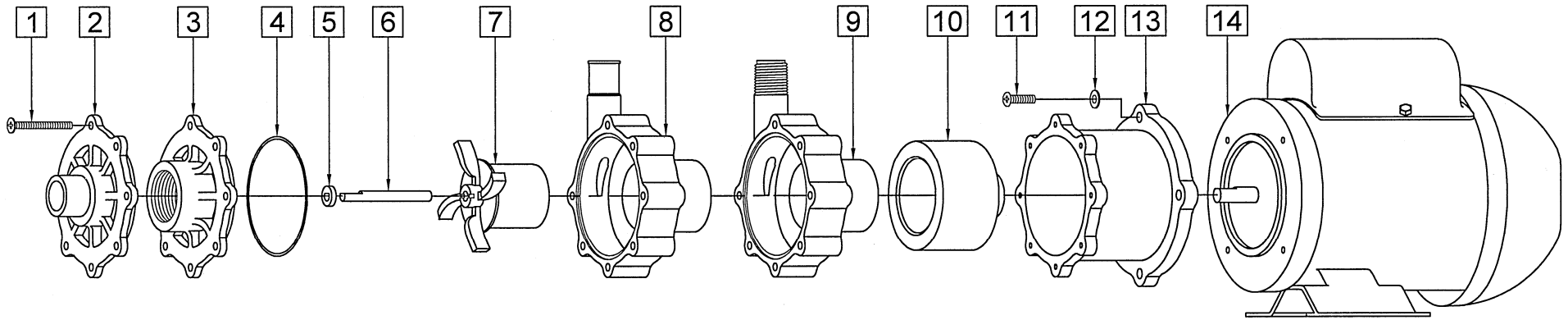
TE-5C-MD, TE-5A-MD, TE-5K-MD WITH WEG MOTOR



SPECIFICATIONS	TE-5C-MD										TE-5K-MD										TE-5A-MD									
																														
Product #	0150-0214-0100										0150-0214-0200										0150-0214-0400									
Inlet - Outlet	1" FPT - 1/2" MPT										1" FPT - 1/2" MPT										1" OD - 3/4" OD									
Max Internal Pressure	50 psi (344 kPa)										75 psi (517 kPa)										50 psi (344 kPa)									
Max Liquid Temperature	190 °F (87 °C)										200 °F (93 °C)										190 °F (87 °C)									
MODEL	60 Hz										50 Hz										Height		Width		Length		Packed Weight			
	Max Flow gpm lpm	Max Head ft psi m			ELECTRICAL Ph V A Hp kW Rpm					Max Flow gpm lpm	Max Head ft psi m			ELECTRICAL Ph V A Hp kW Rpm					Inches cm	Inches cm	Inches cm	Inches cm	lbs kg							
TE-5C-MD	18 68.1	29 12.6 8.85	1	115 2.6 230 1.3	0.2	0.149	3450	15.9 60.5	20.7 8.96 6.3	1	110 2.4 220 1.2	0.16	0.119	2850	6.89 17.5	7.26 18.4	12.30 31.2	18.7 8.48												
TE-5K-MD	18 68.1	29 12.6 8.85	1	115 2.6 230 1.3	0.2	0.149	3450	15.9 60.5	20.7 8.96 6.3	1	110 2.4 220 1.2	0.16	0.119	2850	6.89 17.5	7.26 18.4	12.30 31.2	18.9 8.57												
TE-5A-MD	18 68.1	29 12.6 8.85	1	115 2.6 230 1.3	0.2	0.149	3450	15.9 60.5	20.7 8.96 6.3	1	110 2.4 220 1.2	0.16	0.119	2850	6.89 17.5	7.26 18.4	12.86 32.6	18.7 8.48												

All specifications & data are based on pumping water & are intended as a guideline only. Specifications may vary with different motors.

PARTS LIST



When attaching the Drive Magnet to motor shaft, position the face of the Drive Magnet 3/32 inch below the face of the Motor Bracket.

#	DESCRIPTION	MATERIAL	SIZE (Inches)	QTY.	PART #		
					TE-5C-MD	TE-5A-MD	TE-5K-MD
1	Screw	Stainless	#8-32 x 1-3/4 Lg.	7		0150-0021-1000	
2	Cover	Polypropylene	1 OD Inlet	1		0150-0150-1000	
3A	Cover	Polypropylene	1 FPT Inlet	1	0150-0032-1000		
3B	Cover	Kynar/Glass	1 FPT Inlet	1			0150-0124-1000
4A	"O" Ring	Viton	0.078 CS x 2.834 ID	1		0750-0986-1000	
4B	"O" Ring (Option)	Viton/Teflon	0.078 CS x 2.893 ID	1		0150-0212-1000	
4C	"O" Ring (Option)	Buna N	0.078 CS x 2.834 ID	1		0750-0987-1000	
5	Thrust Washer	Ceramic		1		0130-0028-1000	
6	Shaft	Ceramic		1		0130-0024-1000	
7A	Impeller			1		0150-0098-0200	
7B	Impeller w/Carbon Bushing (Option)	Polypropylene		1		0150-0098-0300	
7C	Impeller w/Mica Teflon Bushing (Option)			1		0150-0098-0500	
7D	Impeller			1			0150-0125-0200
7E	Impeller w/Carbon Bushing (Option)	Kynar/Glass		1			0150-0125-0300
7F	Impeller w/Mica Teflon Bushing (Option)			1			0150-0125-0500
8	Rear Housing w/Ceramic Thrust Washer	Polypropylene	3/4 OD Outlet	1		0150-0159-0100	
9A	Rear Housing w/Ceramic Thrust Washer	Polypropylene	1/2 MPT Outlet	1	0150-0031-0100		
9B	Rear Housing w/Ceramic Thrust Washer	Kynar/Glass	1/2 MPT Outlet	1			0150-0123-0100
10	Drive Magnet			1		0150-0176-0300	
11	Screw	Stainless	#10-32 x 3/4 Lg.	4		0150-0050-1000	
12	Washer	Stainless	#10	4		0150-0051-1000	
13	Motor Bracket	Plastic		1		0150-0070-0100	
14	Motor, (WEG) TEFC, 115/230 V, 50/60 Hz			1		0150-0213-1000	
W1	Wet End Kit (TE-5C-MD)	Items (1, 3A, 4A, 5, 6, 7A, 9A)		1	0150-0148-0200		
W2	Wet End Kit (TE-5K-MD)	Items (1, 3B, 4A, 5, 6, 7D, 9B)		1			0150-0149-0200

Materials in Contact with Solution:

TE-5C-MD: Polypropylene, Viton, Ceramic

TE-5A-MD: Polypropylene, Viton, Ceramic

TE-5K-MD: Kynar/Glass Filled, Viton, Ceramic

Explosion proof & special voltage motors are available for TE-5C-MD, TE-5A-MD, & TE-5K-MD upon special order.

NOTE: Contact Factory for other materials and/or parts not listed.

0150-0060-1400