



MARCH PUMPS

1819 PICKWICK AVE., GLENVIEW, IL 60026-1306, U.S.A
 PHONE: (847) 729-5300 - FAX: (847) 729-7062
 WWW.MARCHPUMP.COM

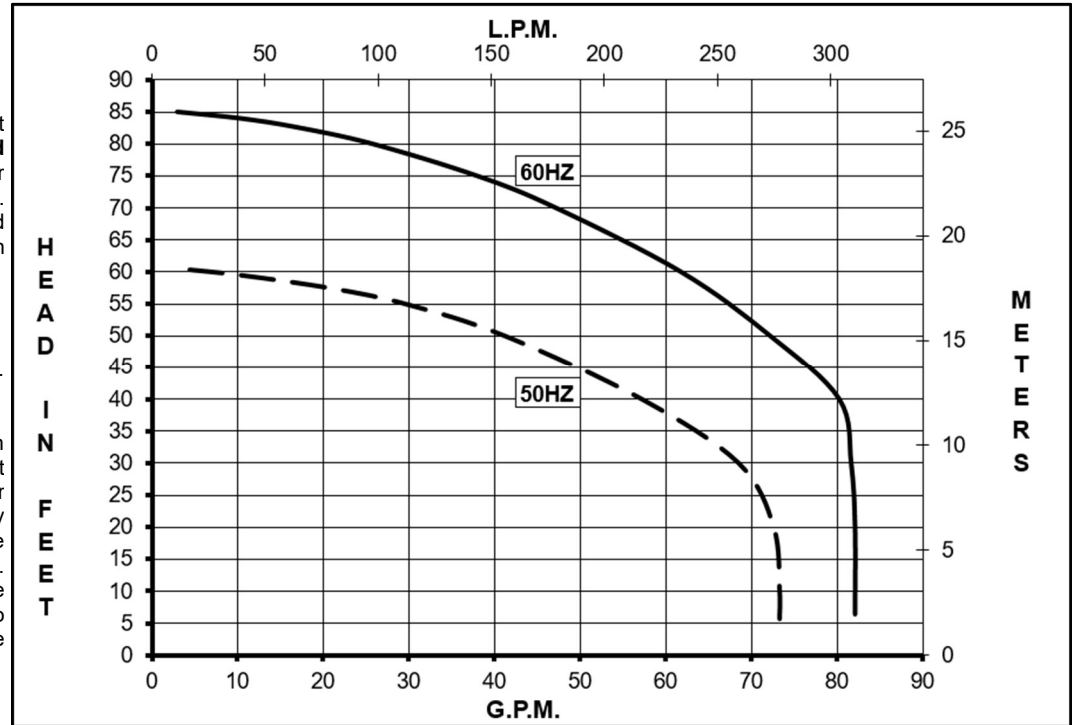
Series TE-7.5-MD Pumps w/1 Phase Motor

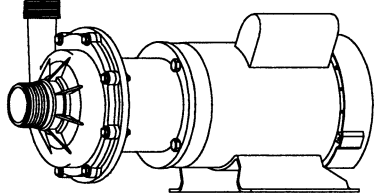
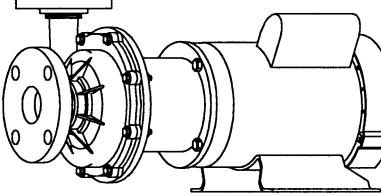
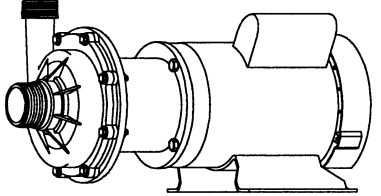
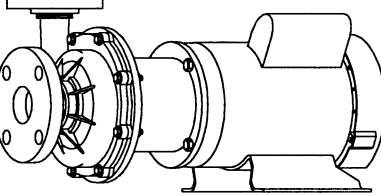
DESCRIPTION & OPERATION: Series 7.5 are centrifugal magnetic drive pumps. See the parts list for a breakdown of parts. Pumps are not self-priming, lack a suction lift, and thus require a **flooded suction**. Pumps **cannot be run dry** because the impeller requires the liquid being pumped for lubrication. The direction of motor rotation should be clockwise when facing the inlet of the pump. For liquids with a specific gravity greater than water, have a higher viscosity, or for elevated temperatures, a trimmed impeller may be necessary. For application assistance, contact March Pump.

Model Abbreviations: K: Kynar, P: Polypropylene

ELECTRICAL: The motor is 1 phase 115/230 Volt 60 Hz, 110/220 Volt 50 Hz. The motor is U.L. listed and rated as continuous duty.

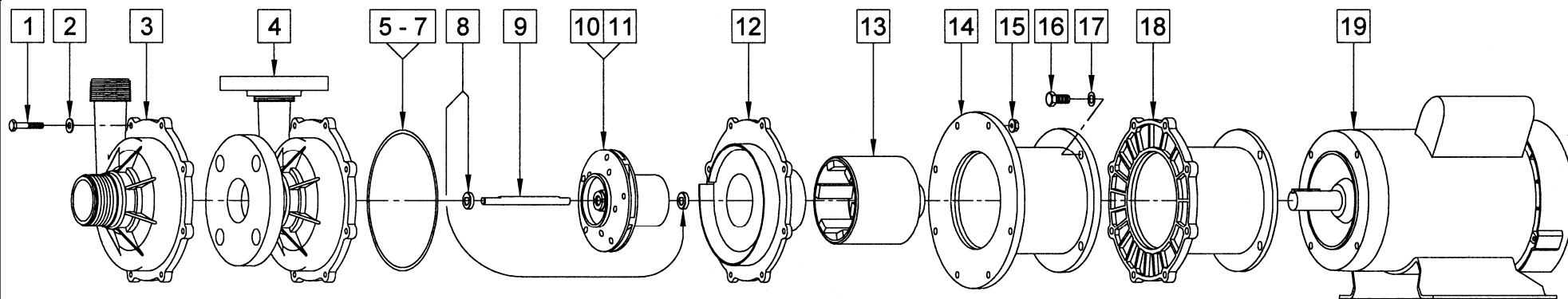
CAUTION IN ASSEMBLY & DISASSEMBLY: The magnetic coupling in the pump is strong enough to warrant caution. When servicing the pump, the attraction of the impeller magnet and drive magnet may pull the impeller from your grasp. When assembling, hold onto the outer diameter of the impeller vanes with both hands and gently engage the impeller into the magnet field. Hold the impeller firmly and resist the magnetic attraction as you slowly put the impeller back in. The magnetic forces are strongest between 1/3 to 2/3 of engagement and will diminish when the magnets become aligned. Do not allow the impeller to snap into the rear housing, doing so may result in damage. Exercise caution in placing any of the magnets near steel, tools, or other sensitive instruments as doing so may result in damage or personal injury. When attaching drive magnet to motor shaft, position the face of the drive magnet 5/32 inch above the face of the motor bracket.



SPECIFICATIONS	TE-7.5K-MD		TE-7.5K-MD with Flanges		TE-7.5P-MD		TE-7.5P-MD with Flanges																			
																										
Product #	0156-0001-0200		0156-0001-0270		0156-0059-0400		0156-0059-0470																			
Inlet - Outlet	2" MPT - 1-1/2" MPT		2" Inlet Flange - 1-1/2" Outlet Flange		2" MPT - 1-1/2" MPT		2" Inlet Flange - 1-1/2" Outlet Flange																			
Max Internal Pressure	60 psi (413 kPa)		60 psi (413 kPa)		60 psi (413 kPa)		60 psi (413 kPa)																			
Max Liquid Temperature	190 °F (87 °C)		190 °F (87 °C)		190 °F (87 °C)		150 °F (65 °C)																			
Overall Size (H x W x L)	10" (25.4 cm) x 9.53" (24.2 cm) x 19.58" (49.47 cm)		10.13" (25.7 cm) x 9.53" (24.2 cm) x 20.93" (53.2 cm)		10" (25.4 cm) x 9.53" (24.2 cm) x 19.58" (49.47 cm)		10.13" (25.7 cm) x 9.53" (24.2 cm) x 20.93" (53.2 cm)																			
MODEL	60 Hz										50 Hz										Packed Weight					
	Max Flow		Max Head		ELECTRICAL						Max Flow		Max Head		ELECTRICAL						Threaded		Flanges			
	gpm	lpm	ft	psi	m	Ph	V	A	Hp	kW	Rpm	gpm	lpm	ft	psi	m	Ph	V	A	Hp	kW	Rpm	lbs	kg	lbs	kg
TE-7.5K-MD	82	310	85	36.8	26	1	115	22	2	1.491	3450	70.8	268	59	25.6	18	1	100	20	1.5	1.118	2850	64.80	29.39	65.8	29.84
							230	11											200	10						
TE-7.5P-MD	82	310	85	36.8	26	1	115	22	2	1.491	3450	70.8	268	59	25.6	18	1	100	20	1.5	1.118	2850	64.80	29.39	65.8	29.84
							230	11											200	10						

All specifications & data are based on pumping water & are intended as a guideline only. Specifications may vary with different motors.

REPAIR PARTS LIST



#	TE-7.5K-MD	#	TE-7.5P-MD
1	0153-0011-1000 8 1/4"-20 x 1-1/2" Lg. Screw (Stainless Steel)	1	0153-0011-1000 8 1/4"-20 x 1-1/2" Lg. Screw (Stainless Steel)
2	0157-0023-1000 8 1/4" ID x 5/8" OD Washer (Stainless Steel)	2	0157-0023-1000 8 1/4" ID x 5/8" OD Washer (Stainless Steel)
3	0156-0001-1000 1 Front Housing (Natural Kynar)	3	0156-0060-1000 1 Front Housing (Polypropylene)
4	0156-0029-0100 1 Front Housing with Flanges (Natural Kynar)	4	0156-0068-0100 1 Front Housing with Flanges (Polypropylene)
5	0156-0010-1000 1 0.157" CS x 6.457" ID "O" Ring (Viton)	5	0156-0010-1000 1 0.157" CS x 6.457" ID "O" Ring (Viton)
6	0156-0023-1000 1 0.157" CS x 6.457" ID "O" Ring (Viton/Teflon) – Option		
7	0156-0034-1000 1 0.157" CS x 6.457" ID "O" Ring (EPDM) – Option	7	0156-0034-1000 1 0.157" CS x 6.457" ID "O" Ring (EPDM) – Option
8	0156-0016-1000 2 Front & Rear Thrust Washer (Ceramic)	8	0156-0016-1000 2 Front & Rear Thrust Washer (Ceramic)
9	0156-0007-1000 1 4.500" Lg. Shaft (Ceramic)	9	0156-0007-1000 1 4.500" Lg. Shaft (Ceramic)
10	0156-0004-0200 1 Impeller w/Carbon Bushing (Natural Kynar)	10	0156-0064-0200 1 Impeller w/Carbon Bushing (Polypropylene)
11	0156-0004-0300 1 Impeller w/Mica Teflon Bushings (Natural Kynar) – Option	11	0156-0064-0300 1 Impeller w/Mica Teflon Bushings (Polypropylene) – Option
12	0156-0002-1000 1 Rear Housing (Natural Kynar)	12	0156-0061-1000 1 Rear Housing (Polypropylene)
13	0156-0009-0100 1 Drive Magnet	13	0156-0009-0100 1 Drive Magnet
14	0156-0073-0010 1 Motor Bracket (Aluminum)	14	0156-0073-0010 1 Motor Bracket (Aluminum)
15	0156-0053-1000 8 1/4"-20 Hex Nut (Stainless Steel)	15	0156-0053-1000 8 1/4"-20 Hex Nut (Stainless Steel)
16	0155-0017-1000 4 3/8"-16 x 1" Lg. Screw (Stainless Steel)	16	0155-0017-1000 4 3/8"-16 x 1 Lg. Screw (Stainless Steel)
17	0155-0019-1000 4 3/8" ID x 5/8" OD Washer (Stainless Steel)	17	0155-0019-1000 4 3/8" ID x 5/8" OD Washer (Stainless Steel)
18	0156-0041-1000 1 Motor Bracket (Plastic) – Option	18	0156-0041-1000 1 Motor Bracket (Plastic) – Option
19	0156-0022-1000 1 1 Phase Motor, TEFC, 2 HP, 115/230 V, 50/60 Hz	19	0156-0022-1000 1 1 Phase Motor, TEFC, 2 HP, 115/230 V, 50/60 Hz
W	0156-0031-0100 1 Wet End Kit (Items: 1, 2, 3, 5, 8, 9, 10, 12)	W	0156-0066-0100 1 Wet End Kit (Items: 1, 2, 3, 5, 8, 9, 10, 12)
Materials in Contact With Solution:		Materials in Contact With Solution:	
Natural Kynar (PVDF), Ceramic, Viton, Carbon		Polypropylene, Ceramic, Viton, Carbon	

LIMITED WARRANTY: March pumps are guaranteed only against defects in workmanship or materials for a period of one year from date of manufacture pumping water. For the complete warranty and to register online go to www.marchpump.com/warranty-registration

Explosion proof and special voltage motors are available upon special order.

NOTE: Contact Factory for other materials and/or parts not listed.

0156-0015-1300