



MARCH PUMPS

TE-5C-MD-AC, TE-5K-MD-AC with Broad Ocean Motor

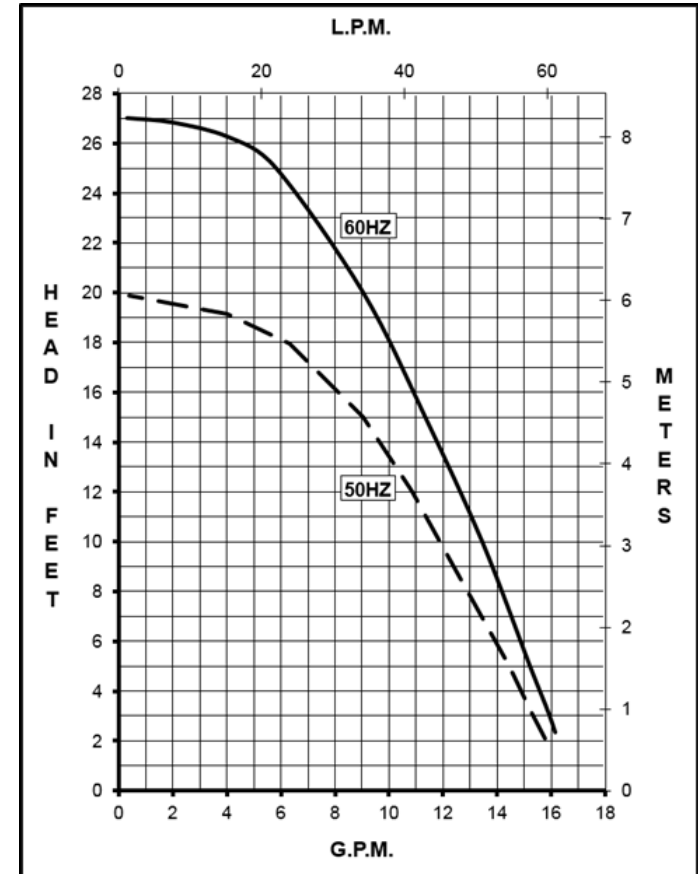
1819 PICKWICK AVE., GLENVIEW, IL 60026-1306, U.S.A
 PHONE: (847) 729-5300 - FAX: (847) 729-7062
 WWW.MARCHPUMP.COM

DESCRIPTION: [Series 5 are centrifugal magnetic drive pumps](#), eliminating the need for a shaft seal. All are serviceable with a screwdriver.

Model Abbreviations: C: Polypropylene, K: Kynar

OPERATION: Pumps are not self-priming, lack a suction lift, and thus require a **flooded suction**. Pumps **cannot be run dry** because the impeller requires the liquid being pumped for lubrication. For liquids with a specific gravity greater than water, have a higher viscosity, or for elevated temperatures, a trimmed impeller may be necessary. For application assistance, contact March Pump.

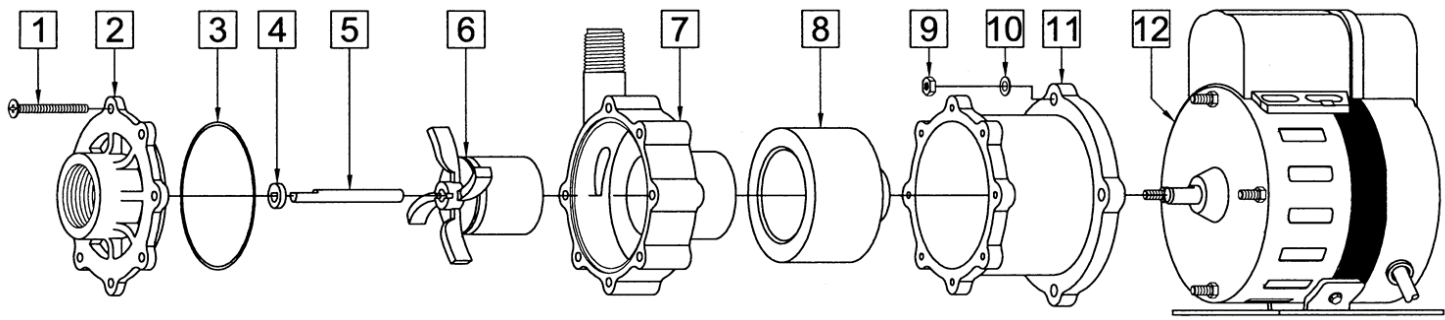
ELECTRICAL: Models are either 115 Volt or 230 Volt and have a 6 foot cord. Models have U.L. listed motors, which are rated for continuous duty.



Specifications		TE-5C-MD-AC	TE-5K-MD-AC
Product	115V	0150-0310-0100	0150-0312-0100
	230V	0150-0311-0100	0150-0313-0100
Inlet-Outlet		1" FPT-1/2" MPT	1" FPT-1/2" MPT
Max Internal Pressure		50PSI (344 kPa)	75PSI (517 kPa)
Max Liquid Temperature		190F (87C)	200F (93C)

Model	60Hz										50Hz									
	Max Flow		Max Head			Electrical					Max Flow		Max Head			Electrical				
	GPM	LPM	FT	PSI	M	Ph	V	A	HP	kW	GPM	LPM	Feet	PSI	M	Ph	V	A	HP	kW
All	17	64.4	27	11.7	8.2	1	115 or 230	1.85 or 0.91	1/6	0.12	15.9	60	19.7	8.5	6	1	115 or 230	1.76 or 0.83	1/8	0.093

All specifications & data are based on pumping water & are intended as a guideline only. Specifications may vary with different motors.



TE-5C-MD-AC				TE-5K-MD-AC			
Item	Part Number	QTY REQ	Description	Item	Part Number	QTY REQ	Description
1	0150-0021-1000	7	#8-32 x 1-3/4" LG. Screw (Stainless)	1	0150-0021-1000	7	#8-32 x 1-3/4" LG. Screw (Stainless)
2	0150-0032-1000	1	Cover with 1" FPT Inlet (Polypropylene)	2	0150-0124-1000	1	Cover with 1" FPT Inlet (Glass Filled Kynar)
3	0750-0986-1000	1	0.078 CS x 2.834 ID O Ring (Viton)	3	0750-0986-1000	1	0.078 CS x 2.834 ID O Ring (Viton)
4	0130-0028-1000	1	Thrust Washer (Ceramic)	4	0130-0028-1000	1	Thrust Washer (Ceramic)
5	0130-0024-1000	1	Shaft (Ceramic)	5	0130-0024-1000	1	Shaft (Ceramic)
6	0150-0098-0200	1	Impeller (Polypropylene)	6	0150-0125-0200	1	Impeller (Glass Filled Kynar)
7	0150-0031-0100	1	Rear Housing with 1/2" MPT and Ceramic Thrust Washer (Polypropylene and Ceramic)	7	0150-0123-0100	1	Rear Housing with 1/2" MPT and Ceramic Thrust Washer (Glass Filled Kynar and Ceramic)
8	0150-0176-0300	1	Drive Magnet	8	0150-0176-0300	1	Drive Magnet
9	0625-0024-1000	4	#10-32 Hex Nut (Stainless)	9	0625-0024-1000	4	#10-32 Hex Nut (Stainless)
10	0802-0006-1000	4	#10 Washer (Stainless)	10	0802-0006-1000	4	#10 Washer (Stainless)
11	0150-0070-0100	1	Motor Bracket (Plastic)	11	0150-0070-0100	1	Motor Bracket (Plastic)
12	0150-0288-1000	1	Motor, 115V, 50/60Hz	12	0150-0288-1000	1	Motor, 115V, 50/60Hz
12	0150-0289-1000	1	Motor, 230V, 50/60Hz	12	0150-0289-1000	1	Motor, 230V, 50/60Hz
W	0150-0148-0200	1	Wet End Kit: Items (1,2,3,4,5,6,7)	W	0150-0149-0200	1	Wet End Kit: Items (1,2,3,4,5,6,7)

NOTE: Contact Factory for other materials and/or parts not listed.

Special voltage motors are available upon special order.

Materials in contact with the liquid: TE-5C-MD-AC: Polypropylene, Viton, Ceramic.

TE-5K-MD-AC: Glass Filled Kynar, Viton, Ceramic.

WARRANTY: <https://www.marchpump.com/about/warranty/>

For the General Installation Manual, see this link <https://www.marchpump.com/wp-content/uploads/2019/07/march-pump-general-installation-guide-0750-040.pdf> or Scan QR Code



0150-0318-1100