



# MARCH PUMPS

1819 PICKWICK AVE., GLENVIEW, IL 60026-1306, U.S.A  
 PHONE: (847) 729-5300 - FAX: (847) 729-7062  
 WWW.MARCHPUMP.COM

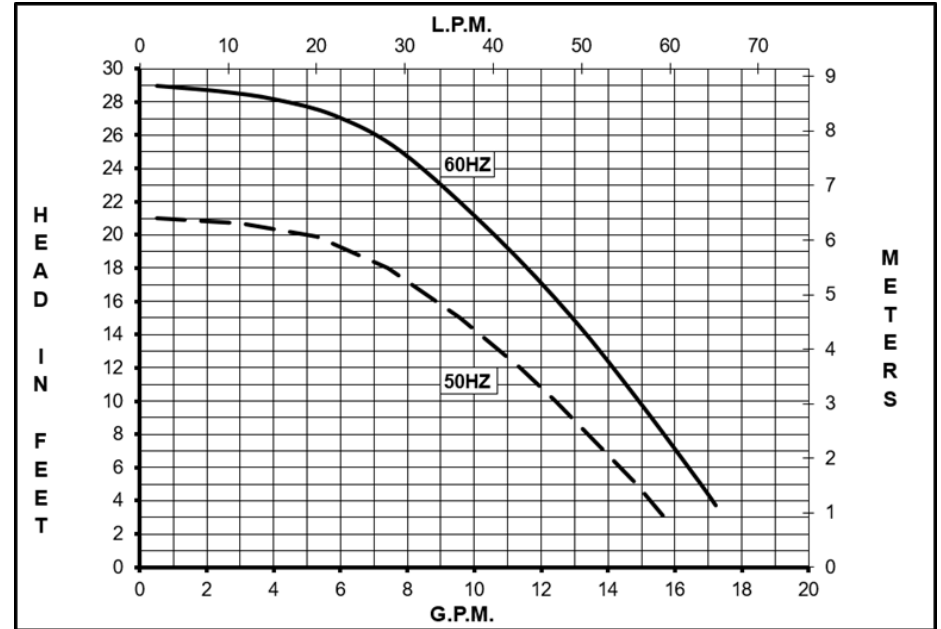
**DESCRIPTION:** Series 5 are centrifugal magnetic drive pumps, eliminating the need for a shaft seal. All are serviceable with a screwdriver.

**OPERATION:** Pumps are not self-priming, lack a suction lift, and thus require a **flooded suction**. Pumps **cannot be run dry** because the impeller requires the liquid being pumped for lubrication. For liquids with a specific gravity greater than water, have a higher viscosity, or for elevated temperatures, a trimmed impeller may be necessary. For application assistance, contact March Pump.

**ELECTRICAL:** Models are dual voltage 115 Volt / 230 Volt and have a conduit box. Models have a U.L. listed motor, which is rated for continuous duty.

**Model Abbreviations:** C/K: Threaded Inlet/Outlet, A: Smooth Inlet/Outlet, K: Glass Filled Kynar, NK: Natural Kynar, TE: Totally Enclosed Fan Cooled

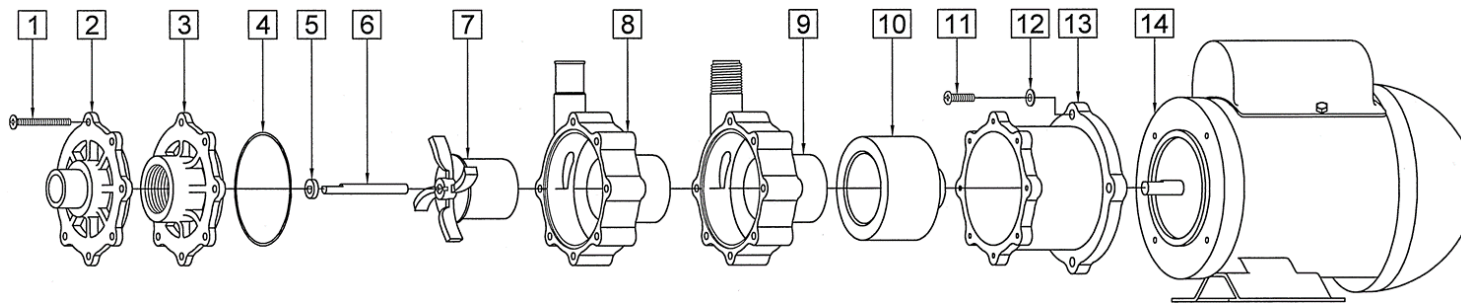
## TE-5C-MD, TE-5A-MD, TE-5K-MD, TE-5NK-MD, With Weg Motor



Specifications		TE-5C-MD	TE-5A-MD	TE-5K-MD	TE-5NK-MD
Product	1Ph	0150-0214-0100	0150-0214-0400	0150-0214-0200	0150-0214-0500
Inlet-Outlet		1" FPT-1/2" MPT	1" OD-3/4" OD	1" FPT-1/2" MPT	1" FPT-1/2" MPT
Max Internal Pressure		50PSI (344 kPa)	50PSI (344 kPa)	75PSI (517kPa)	50PSI (344 kPa)
Max Liquid Temperature		190F (87C)	190F (87C)	200F (93C)	190F (87C)

Model	60Hz												50Hz										
	Max Flow		Max Head			Electrical							Max Flow		Max Head			Electrical					
	GPM	LPM	FT	PSI	M	Ph	V	A	HP	kW	RPM	GPM	LPM	Feet	PSI	M	Ph	V	A	HP	kW	RPM	
TE-5C-MD	18	68.1	29	12.6	8.85	1	115/230	2.6/1.3	1/5	0.149	3450	15.9	60.5	20.7	8.96	6.3	1	110/220	2.4/1.2	0.16	0.119	2850	
TE-5A-MD	18	68.1	29	12.6	8.85	1	115/230	2.6/1.3	1/5	0.149	3450	15.9	60.5	20.7	8.96	6.3	1	110/220	2.4/1.2	0.16	0.119	2850	
TE-5K-MD	18	68.1	29	12.6	8.85	1	115/230	2.6/1.3	1/5	0.149	3450	15.9	60.5	20.7	8.96	6.3	1	110/220	2.4/1.2	0.16	0.119	2850	
TE-5NK-MD	18	68.1	29	12.6	8.85	1	115/230	2.6/1.3	1/5	0.149	3450	15.9	60.5	20.7	8.96	6.3	1	110/220	2.4/1.2	0.16	0.119	2850	

All specifications & data are based on pumping water & are intended as a guideline only. Specifications may vary with different motors.



**NOTE:** When attaching the Drive Magnet to the motor shaft, position the face of the Drive Magnet 3/32 inch below the face of the Motor Bracket.

TE-5C-MD				TE-5A-MD			
Item	Part Number	QTY REQ	Description	Item	Part Number	QTY REQ	Description
1	0150-0021-1000	7	#8-32 x 1-3/4 LG Screw (Stainless)	1	0150-0021-1000	7	#8-32 x 1-3/4 LG Screw (Stainless)
3	0150-0032-1000	1	Cover with 1" FPT Inlet (Polypropylene)	2	0150-0150-1000	1	Cover with 1" OD Inlet (Polypropylene)
4	0750-0986-1000	1	0.078 CS x 2.834 ID O-Ring (Viton)	4	0750-0986-1000	1	0.078 CS x 2.834 ID O-Ring (Viton)
5	0130-0028-1000	1	Thrust Washer (Ceramic)	5	0130-0028-1000	1	Thrust Washer (Ceramic)
6	0130-0024-1000	1	Shaft (Ceramic)	6	0130-0024-1000	1	Shaft (Ceramic)
7	0150-0098-0200	1	Impeller (Polypropylene)	7	0150-0098-0200	1	Impeller (Polypropylene)
9	0150-0031-0100	1	Rear Housing with 1/2" MPT Outlet and Ceramic Thrust Washer (Polypropylene/Ceramic)	8	0150-0159-0100	1	Rear Housing with 3/4" OD Outlet and Ceramic Thrust Washer (Polypropylene/Ceramic)
10	0150-0176-0300	1	Drive Magnet	10	0150-0176-0300	1	Drive Magnet
11	0150-0050-1000	4	#10-32 x 3/4 LG. Screw (Stainless)	11	0150-0050-1000	4	#10-32 x 3/4 LG. Screw (Stainless)
12	0150-0051-1000	4	#10 Washer (Stainless)	12	0150-0051-1000	4	#10 Washer (Stainless)
13	0150-0070-0100	1	Motor Bracket (Plastic)	13	0150-0070-0100	1	Motor Bracket (Plastic)
14	0150-0213-1000	1	Motor (Weg), TEFC, 115/230V, 50/60Hz	14	0150-0213-1000	1	Motor (Weg), TEFC, 115/230V, 50/60Hz
W	0150-0148-0200	1	Wet End Kit: Items (1,3,4,5,6,7,9)				
TE-5K-MD				TE-5NK-MD			
1	0150-0021-1000	7	#8-32 x 1-3/4 LG Screw (Stainless)	1	0150-0021-1000	7	#8-32 x 1-3/4 LG Screw (Stainless)
3	0150-0124-1000	1	Cover with 1" FPT Inlet (Glass Filled Kynar)	3	0150-0182-1000	1	Cover with 1" FPT Inlet (Natural Kynar)
4	0750-0986-1000	1	0.078 CS x 2.834 ID O-Ring (Viton)	4	0750-0986-1000	1	0.078 CS x 2.834 ID O-Ring (Viton)
5	0130-0028-1000	1	Thrust Washer (Ceramic)	5	0130-0028-1000	1	Thrust Washer (Ceramic)
6	0130-0024-1000	1	Shaft (Ceramic)	6	0130-0024-1000	1	Shaft (Ceramic)
7	0150-0125-0200	1	Impeller (Glass Filled Kynar)	7	0150-0183-0200	1	Impeller (Natural Kynar)
9	0150-0123-0100	1	Rear Housing with 1/2" MPT Outlet and Ceramic Thrust Washer (Glass Filled Kynar/Ceramic)	9	0150-0181-0100	1	Rear Housing with 1/2" MPT Outlet and Ceramic Thrust Washer (Natural Kynar/Ceramic)
10	0150-0176-0300	1	Drive Magnet	10	0150-0176-0300	1	Drive Magnet
11	0150-0050-1000	4	#10-32 x 3/4 LG. Screw (Stainless)	11	0150-0050-1000	4	#10-32 x 3/4 LG. Screw (Stainless)
12	0150-0051-1000	4	#10 Washer (Stainless)	12	0150-0051-1000	4	#10 Washer (Stainless)
13	0150-0070-0100	1	Motor Bracket (Plastic)	13	0150-0070-0100	1	Motor Bracket (Plastic)
14	0150-0213-1000	1	Motor (Weg), TEFC, 115/230V, 50/60Hz	14	0150-0213-1000	1	Motor (Weg), TEFC, 115/230V, 50/60Hz
	0150-0149-0200	1	Wet End Kit: Items (1,3,4,5,6,7,9)				

NOTE: Contact Factory for other materials and/or parts not listed.

Special voltage motors are available upon special order.

**Materials in contact with the liquid:** 5C and 5A: Polypropylene, Viton, Ceramic. 5K: Glass Filled Kynar, Viton, Ceramic. 5NK: Natural Kynar, Viton, Ceramic

**LIMITED WARRANTY:** March pumps are guaranteed only against defects in workmanship or materials for a period of one year from date of manufacture pumping water. For the complete warranty and to register online go to [www.marchpump.com/warranty-registration](http://www.marchpump.com/warranty-registration)

For the General Installation Manual, see this link <https://www.marchpump.com/wp-content/uploads/2019/07/march-pump-general-installation-guide-0750-040.pdf>

Or scan QR Code

