



MARCH PUMPS

1819 PICKWICK AVE., GLENVIEW, IL 60026-1306, U.S.A
 PHONE: (847) 729-5300 - FAX: (847) 729-7062
 WWW.MARCHPUMP.COM

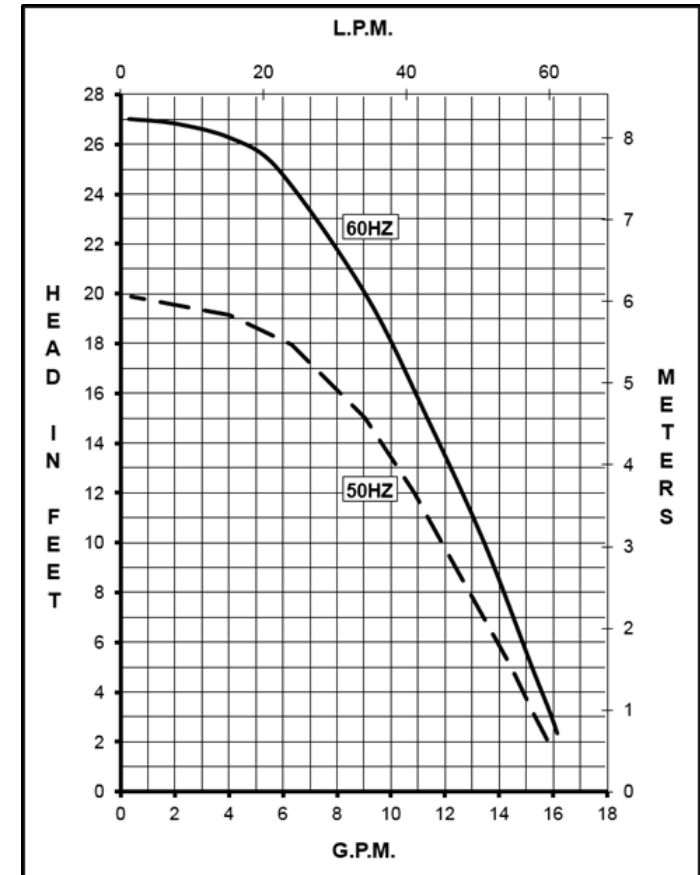
DESCRIPTION: [Series 5 are centrifugal magnetic drive pumps](#), eliminating the need for a shaft seal. All are serviceable with a screwdriver.

Model Abbreviations: TE: Encapsulated Impeller, AC: Air Cooled Motor, C: Polypropylene, K: Kynar

OPERATION: Pumps are not self-priming, lack a suction lift, and thus require a **flooded suction**. Pumps **cannot be run dry** because the impeller requires the liquid being pumped for lubrication. For liquids with a specific gravity greater than water, have a higher viscosity, or for elevated temperatures, a trimmed impeller may be necessary. For application assistance, contact March Pump.

ELECTRICAL: Models are either 115 Volt or 230 Volt and have a 3 ft. (0.9 m) Cord. Models have U.L. listed motors, which are rated for continuous duty.

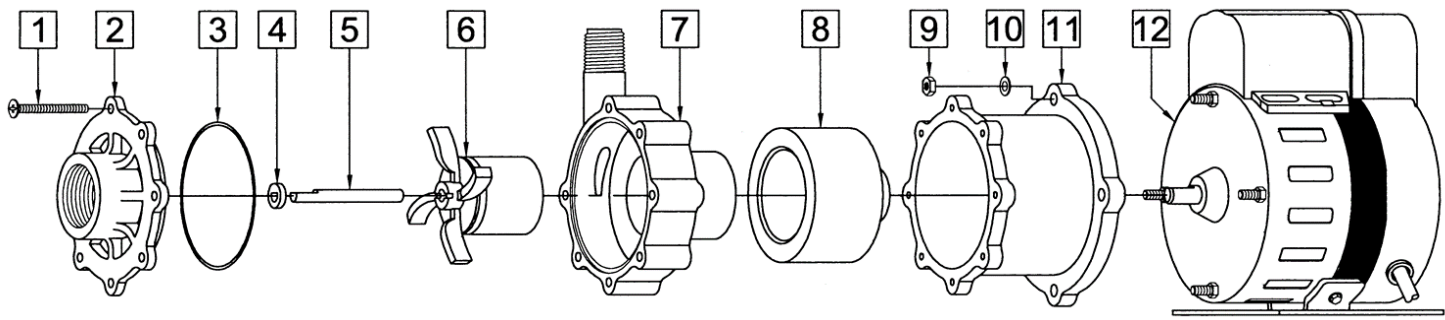
TE-5C-MD-AC, TE-5K-MD-AC



Specifications		TE-5C-MD-AC	TE-5K-MD-AC
Product	115V	0150-0026-0800	0150-0120-0600
	230V	0150-0026-0900	0150-0120-0700
Inlet-Outlet		1" FPT-1/2" MPT	1" FPT-1/2" MPT
Max Internal Pressure		50PSI (344 kPa)	75PSI (517 kPa)
Max Liquid Temperature		190F (87C)	200F (93C)

Model	60Hz												50Hz											
	Max Flow		Max Head			Electrical							Max Flow		Max Head			Electrical						
	GPM	LPM	FT	PSI	M	Ph	V	A	HP	kW	RPM	GPM	LPM	Feet	PSI	M	Ph	V	A	HP	kW	RPM		
TE-5C-MD-AC	17	64.4	27	11.7	8.2	1	115 or 230	2.1 or 1.0	1/8	0.093	3450	15.9	60	19.7	8.5	6	1	115 or 230	2.1 or 1.0	1/8	0.093	2850		
TE-5K-MD-AC	17	64.4	27	11.7	8.2	1	115 or 230	2.1 or 1.0	1/8	0.093	3450	15.9	60	19.7	8.5	6	1	115 or 230	2.1 or 1.0	1/8	0.093	2850		

All specifications & data are based on pumping water & are intended as a guideline only. Specifications may vary with different motors.



TE-5C-MD-AC				TE-5K-MD-AC			
Item	Part Number	QTY REQ	Description	Item	Part Number	QTY REQ	Description
1	0150-0021-1000	7	#8-32 x 1-3/4" LG. Screw (Stainless)	1	0150-0021-1000	7	#8-32 x 1-3/4" LG. Screw (Stainless)
2	0150-0032-1000	1	Cover with 1" FPT Inlet (Polypropylene)	2	0150-0124-1000	1	Cover with 1" FPT Inlet (Glass Filled Kynar)
3	0750-0986-1000	1	0.078 CS x 2.834 ID O Ring (Viton)	3	0750-0986-1000	1	0.078 CS x 2.834 ID O Ring (Viton)
4	0130-0028-1000	1	Thrust Washer (Ceramic)	4	0130-0028-1000	1	Thrust Washer (Ceramic)
5	0130-0024-1000	1	Shaft (Ceramic)	5	0130-0024-1000	1	Shaft (Ceramic)
6	0150-0098-0200	1	Impeller (Polypropylene)	6	0150-0125-0200	1	Impeller (Glass Filled Kynar)
7	0150-0031-0100	1	Rear Housing with 1/2" MPT and Ceramic Thrust Washer (Polypropylene and Ceramic)	7	0150-0123-0100	1	Rear Housing with 1/2" MPT and Ceramic Thrust Washer (Glass Filled Kynar and Ceramic)
8	0150-0176-0300	1	Drive Magnet	8	0150-0176-0300	1	Drive Magnet
9	0625-0024-1000	4	#10-32 Hex Nut (Stainless)	9	0625-0024-1000	4	#10-32 Hex Nut (Stainless)
10	0802-0006-1000	4	#10 Washer (Stainless)	10	0802-0006-1000	4	#10 Washer (Stainless)
11	0150-0070-0100	1	Motor Bracket (Plastic)	11	0150-0070-0100	1	Motor Bracket (Plastic)
12	0150-0027-1000	1	Motor, 115V, 50/60Hz	12	0150-0027-1000	1	Motor, 115V, 50/60Hz
12	0150-0040-1000	1	Motor, 230V, 50/60Hz	12	0150-0040-1000	1	Motor, 230V, 50/60Hz
W	0150-0148-0200	1	Wet End Kit: Items (1,2,3,4,5,6,7)	W	0150-0149-0200	1	Wet End Kit: Items (1,2,3,4,5,6,7)

NOTE: Contact Factory for other materials and/or parts not listed.

Special voltage motors are available upon special order.

Materials in contact with the liquid: TE-5C-MD-AC: Polypropylene, Viton, Ceramic.

TE-5K-MD-AC: Glass Filled Kynar, Viton, Ceramic.

LIMITED WARRANTY: March pumps are guaranteed only against defects in workmanship or materials for a period of one year from date of manufacture pumping water. For the complete warranty and to register online go to www.marchpump.com/warranty-registration

For the General Installation Manual, see this link <https://www.marchpump.com/wp-content/uploads/2019/07/march-pump-general-installation-guide-0750-040.pdf> or Scan QR Code



0150-0060-1200-10.27.2023