



# MARCH PUMPS

1819 PICKWICK AVE., GLENVIEW, IL 60026-1306, U.S.A  
 PHONE: (847) 729-5300 - FAX: (847) 729-7062  
 WWW.MARCHPUMP.COM

**DESCRIPTION & OPERATION:** March 830 hot water booster series are centrifugal magnetic drive pumps built to handle liquid transfer in heating and cooling operations. Contact the factory for application assistance. Pumps are not self-priming, lack a suction lift, and thus require a flooded suction. Pumps cannot be run dry.

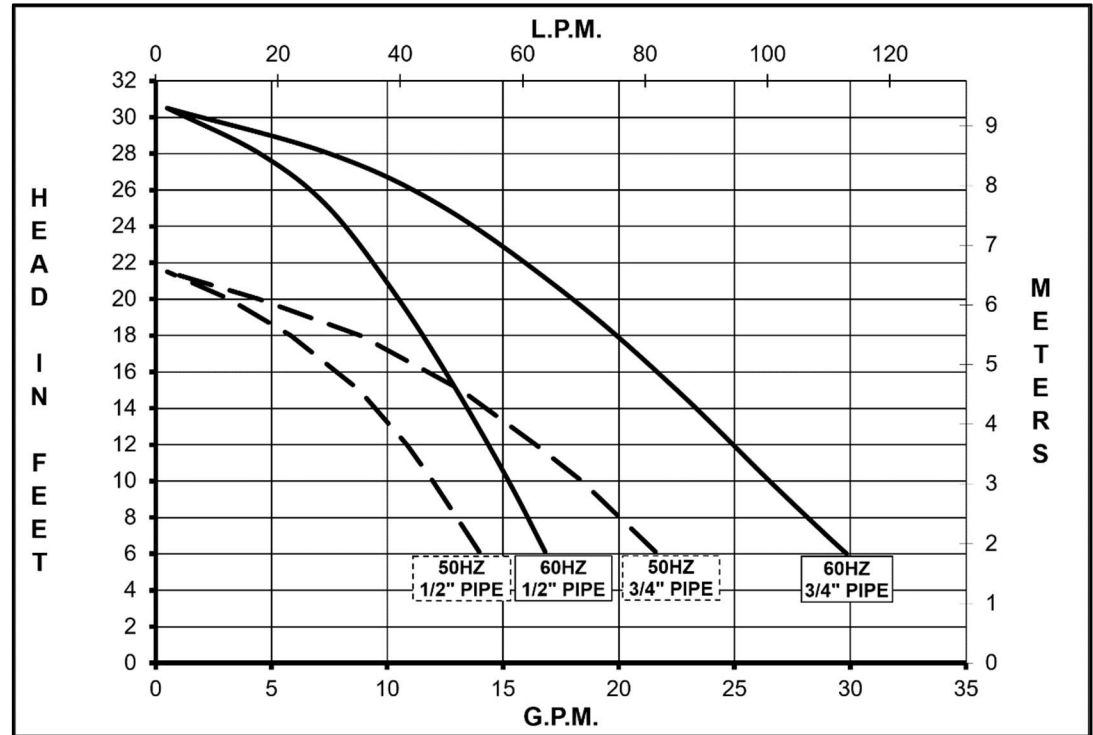
**Model Abbreviations:** BR: Bronze, CI: Cast Iron

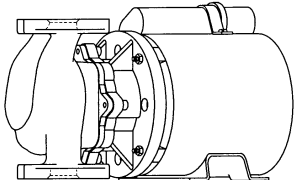
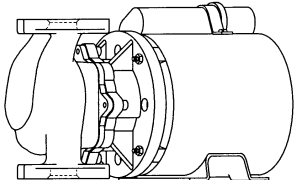
**ELECTRICAL:** Models have air cooled motors with a junction box for electrical connections.

**INSTALLATIONS:** Pumps should be installed with the pump housing arrow pointing in the direction of flow within the system. If the arrow indicating flow is not in the direction required, remove the socket head housing screws holding the housing to the motor bracket and rotate the housing assembly as required. Replace the screws and tighten. The pump is composed of a wet end assembly which can be separated by unscrewing the socket head housing screws. The pump will then separate into 2 parts. The liquid will be contained within the wet end assembly unless the flat head connecting screws on the rear housing are loosened.

**GENERAL SAFETY INFORMATION:** Follow all local safety codes & the Occupational Safety and Health Act (OSHA). Make certain that the power source conforms to the requirements of your equipment. Always disconnect power source before performing any work on or near the electric motor. Caution must be exercised to relieve any pressure in the system & in draining hot liquid from the pump or the system. March cannot recommend the 830 Series out of bronze where the liquid is used for human consumption per California Law due to the presence of lead.

## 830-BR & 830-CI HOT WATER PUMPS

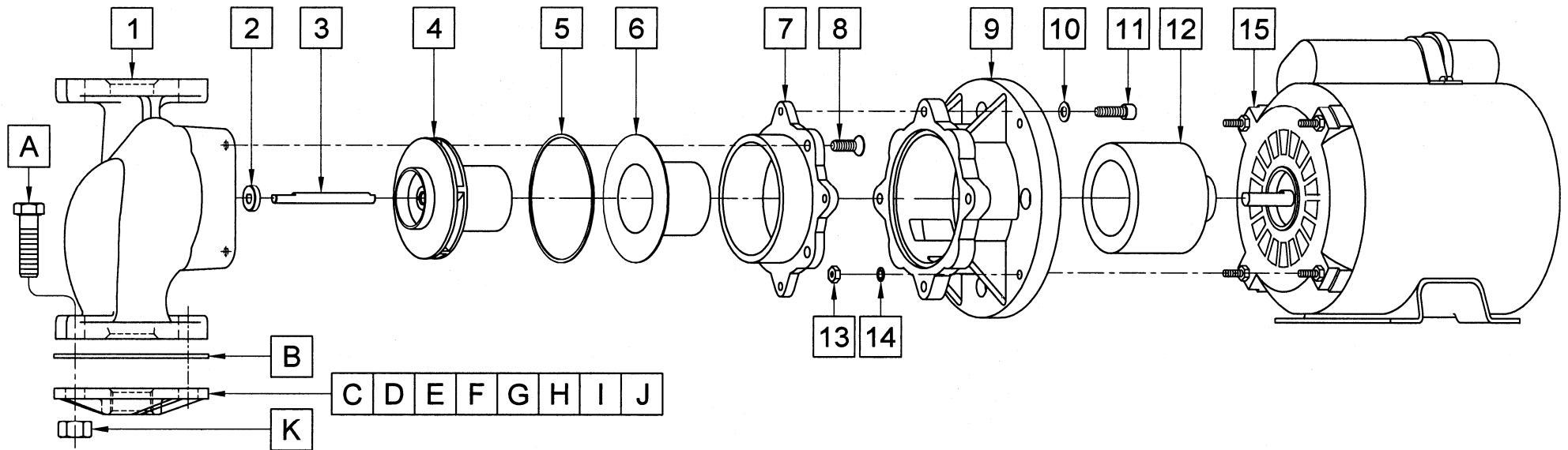


SPECIFICATIONS	830-BR														830-CI															
																														
	Product #	0175-0005-0100														0175-0005-0200														
Inlet - Outlet	Flange - Flange														Flange - Flange															
Max Internal Pressure	150 psi (1034 kPa)														150 psi (1034 kPa)															
Max Liquid Temperature	250 °F (121 °C)														250 °F (121 °C)															
MODEL	60 Hz											50 Hz											Height		Width		Length		Packed Weight	
	Max Flow		Max Head			ELECTRICAL						Max Flow		Max Head			ELECTRICAL													
	gpm	lpm	ft	psi	m	Ph	V	A	Hp	kW	Rpm	gpm	lpm	ft	psi	m	Ph	V	A	Hp	kW	Rpm	Inches	cm	Inches	cm	Inches	cm	lbs	kg
830-BR	30	113.5	30.5	13.2	9.3	1	115	2.7	1/5	0.149	3450	21.5	81.3	21.3	9.2	6.5	1	115	2.9	1/5	0.149	2850	6.93	17.6	5.81	14.7	12.25	31.1	21.5	10
830-CI	30	113.5	30.5	13.2	9.3	1	115	2.7	1/5	0.149	3450	21.5	81.3	21.3	9.2	6.5	1	115	2.9	1/5	0.149	2850	6.93	17.6	5.81	14.7	12.25	31.1	21	9.5

All specifications & data are based on pumping water & are intended as a guideline only. Specifications may vary with different motors.

## PARTS LIST

**DISASSEMBLY & REASSEMBLY:** The motor can be removed from the wet end assembly without draining the liquid from the system. To do so remove four socket head housing screws and slide the motor assembly away. If parts inside the wet end assembly must be removed, isolate the pump or drain the system. When the system is drained and cool, remove the four flat head connecting screws from the rear of the housing. The rear housing can now be removed. Remaining pump parts can be removed. Replace any worn or damaged parts. Replace the gasket anytime the rear housing is removed.



#	830 BR		#	830 CI	
1	0821-0064-0000	1   Flanged Pump Housing (Bronze)	1	0821-0025-0001	1   Flanged Pump Housing (Cast Iron)
2	0821-0079-1000	1   Thrust Washer (Ceramic)	2	0821-0079-1000	1   Thrust Washer (Ceramic)
3	0821-0036-1000	1   Shaft (Stainless)	3	0821-0036-1000	1   Shaft (Stainless)
4	0175-0073-0200	1   Impeller w/Bushing (Ryton/Teflon/Carbon)	4	0175-0073-0200	1   Impeller w/Bushing (Ryton/Teflon/Carbon)
5	1043-0002-1000	1   2.843" ID x 0.047" Thick Gasket (Nitrile/Fibre)	5	1043-0002-1000	1   2.843" ID x 0.047" Thick Gasket (Nitrile/Fibre)
6	0821-0035-0100	1   Rear Housing (Stainless)	6	0821-0035-0100	1   Rear Housing (Stainless)
7	0821-0044-0000	1   Housing Connecting Ring (Aluminum)	7	0821-0044-0000	1   Housing Connecting Ring (Aluminum)
8	1043-0009-1000	4   1/4"-20 x 3/4" Lg. Flat Head Connecting Screw (Steel)	8	1043-0009-1000	4   1/4"-20 x 3/4" Lg. Flat Head Connecting Screw (Steel)
9	0175-0027-1000	1   Motor Bracket (Plastic)	9	0175-0027-1000	1   Motor Bracket (Plastic)
10	0155-0021-1000	4   1/2" OD Washer (Stainless)	10	0155-0021-1000	4   1/2" OD Washer (Stainless)
11	0804-0052-1000	4   1/4"-20 x 3/4" Lg. Socket Head Housing Screw (Steel)	11	0804-0052-1000	4   1/4"-20 x 3/4" Lg. Socket Head Housing Screw (Steel)
12	0151-0061-0200	1   Drive Magnet	12	0151-0061-0200	1   Drive Magnet
13	0410-0039-1000	4   #8-32 Hex Nut (Nickel Plated Brass)	13	0410-0039-1000	4   #8-32 Hex Nut (Nickel Plated Brass)
14	0620-0010-1000	4   #8 Lock Washer (Stainless)	14	0620-0010-1000	4   #8 Lock Washer (Stainless)
15	0175-0087-1000	1   Motor, 115 Volt / 230 Volt, 50/60 Hz	15	0175-0087-1000	1   Motor, 115 Volt / 230 Volt, 50/60 Hz

### OPTION PARTS FOR ALL MODELS

#	DESCRIPTION		#	DESCRIPTION	
A	0804-0054-1000	4   7/16"-14 x 1-1/2" Lg. Hex Head Screw (Steel)	G	0804-0047-0000	2   3/4" Flange (Steel)
B	0821-0105-1000	2   Gasket, Flange (EPDM)	H	0821-0045-0000	2   1" Flange (Steel)
C	0821-0069-0000	2   3/4" Flange (Bronze)	I	0821-0048-0000	2   1-1/4" Flange (Steel)
D	0821-0065-0000	2   1" Flange (Bronze)	J	0821-0049-0000	2   1-1/2" Flange (Cast Iron)
E	0821-0072-0000	2   1-1/4" Flange (Bronze)	K	0804-0055-1000	4   7/16"-14 Hex Nut (Steel)
F	0821-0066-0000	2   1-1/2" Flange (Bronze)			

**LIMITED WARRANTY:** March pumps are guaranteed only against defects in workmanship or materials for a period of one year from date of manufacture pumping water. For the complete warranty and to register online go to [www.marchpump.com/warranty-registration](http://www.marchpump.com/warranty-registration)

NOTE: Contact Factory for other materials and/or parts not listed.

0175-0028-1000 R8