



MARCH PUMPS

1819 PICKWICK AVE., GLENVIEW, IL 60026-1306, U.S.A
 PHONE: (847) 729-5300 - FAX: (847) 729-7062
 WWW.MARCHPUMP.COM

MDX-MT3, MDK-MT3, TE-MDX-MT3, TE-MDK-MT3

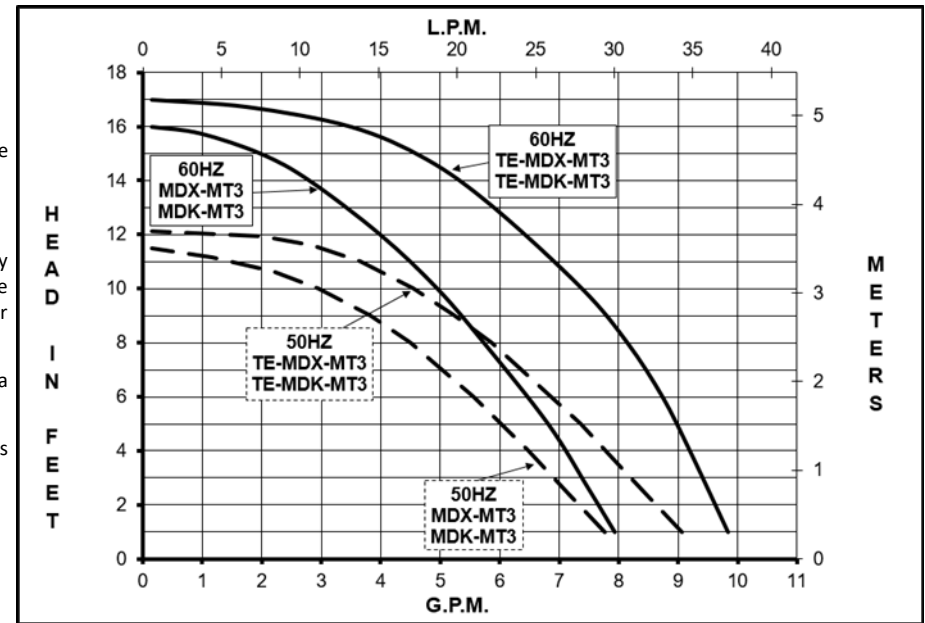
DESCRIPTION: Series MDX & MDK are centrifugal magnetic drive pumps, eliminating the need for a shaft seal. Pumps can be serviced with a screwdriver. See the parts list for a break down of parts.

Model Abbreviations: X: Ryton, K: Kynar, TE: Totally Enclosed Fan Cooled

OPERATION: Pumps are not self-priming, lack a suction lift, and thus require a flooded suction. Pumps cannot be run dry because the impeller requires the liquid being pumped for lubrication. The direction of motor rotation should be clockwise when facing the inlet of the pump. For liquids with a specific gravity greater than water, have a higher viscosity, or for elevated temperatures, a trimmed impeller may be necessary. For application assistance, contact March Pump.

ELECTRICAL: The MDX-MT3 & MDK-MT3: Open air cooled motors available in 115 Voltage 50/60 Hz, 1 phase. Motors have a 3 foot (0.9 m) cord for electrical connections. Motors are U.L. listed as well as rated for continuous operation.

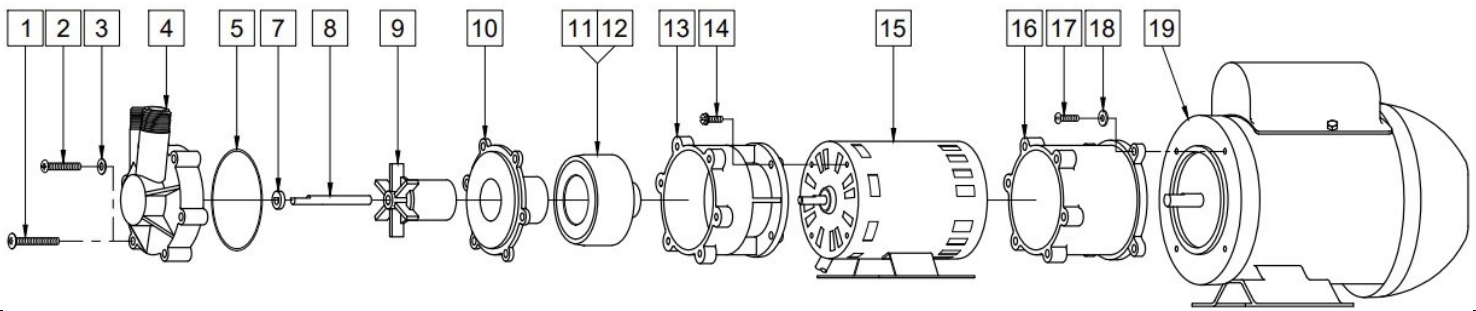
The TE-MDX-MT3 & TE-MDK-MT3: Motor is totally enclosed fan cooled, dual 115/230 Voltage, 50/60 Hz, 1 phase. Motors have a conduit box for electrical connections. Motors are U.L. listed as well as rated for continuous operation.



Specifications		MDX-MT3	MDK-MT3	TE-MDX-MT3	TE-MDK-MT3
Product	115V	0135-0036-0100	0135-0036-0400		
	Dual Voltage 115/230V			0135-0088-0100	0135-0088-0300
Inlet-Outlet		1/2" MPT-1/2" MPT	1/2" MPT-1/2" MPT	1/2" MPT-1/2" MPT	1/2" MPT-1/2" MPT
Max Internal Pressure		75PSI (517 kPa)	75PSI (517 kPa)	75PSI (517 kPa)	75PSI (517 kPa)
Max Liquid Temperature		200F (93C)	200F (93C)	200F (93C)	200F (93C)

Model	60Hz											50Hz										
	Max Flow		Max Head			Electrical						Max Flow		Max Head			Electrical					
	GPM	LPM	FT	PSI	M	Ph	V	A	HP	kW	RPM	GPM	LPM	Feet	PSI	M	Ph	V	A	HP	kW	RPM
MDX-MT3	8	30.3	16	6.9	4.88	1	115	1.35	1/25	0.03	3450	7.9	30	11.5	4.98	3.5	1	115	1.35	1/25	0.03	2850
MDK-MT3	8	30.3	16	6.9	4.88	1	115	1.35	1/25	0.03	3450	7.9	30	11.5	4.98	3.5	1	115	1.35	1/25	0.03	2850
TE-MDX-MT3	10	37.9	17	7.4	5.18	1	115/230	2.6/1.3	1/5	0.149	3450	9.2	30.5	12.1	5.26	4.7	1	115/230	2.6/1.3	1/5	0.149	2850
TE-MDK-MT3	10	37.9	17	7.4	5.18	1	115/230	2.6/1.3	1/5	0.149	3450	9.2	30.5	12.1	5.26	4.7	1	115/230	2.6/1.3	1/5	0.149	2850

All specifications & data are based on pumping water & are intended as a guideline only. Specifications may vary with different motors.



NOTE: When attaching the Drive Magnet to the motor shaft, position the face of the Drive Magnet 1/16 inch below the face of the Motor Bracket.

MDX-MT3				MDK-MT3			
Item	Part Number	QTY REQ	Description	Item	Part Number	QTY REQ	Description
1	0135-0181-1000	6	#10-32 x 1-1/8" Lg. Screw (Stainless)	1	0135-0181-1000	6	#10-32 x 1-1/8" Lg. Screw (Stainless)
2	0150-0051-1000	6	#10 Washer (Stainless)	2	0150-0051-1000	6	#10 Washer (Stainless)
4	0135-0088-1000	1	Front Housing with 1/2" MPT Inlet and Outlet (Ryton)	4	0135-0152-1000	1	Front Housing with 1/2" MPT Inlet and Outlet (Glass Filled Kynar)
5	0135-0046-1000	1	1/16" CS x 2-7/8" OD "O" Ring (Viton)	5	0135-0046-1000	1	1/16" CS x 2-7/8" OD "O" Ring (Viton)
7	0130-0028-1000	1	Thrust Washer (Ceramic)	7	0130-0028-1000	1	Thrust Washer (Ceramic)
8	0130-0024-1000	1	Shaft (Ceramic)	8	0130-0024-1000	1	Shaft (Ceramic)
9	0135-0113-0200	1	Impeller (Ryton)	9	0135-0154-0200	1	Impeller (Glass Filled Kynar)
10	0135-0087-1000	1	Rear Housing (Ryton)	10	0135-0153-1000	1	Rear Housing (Glass Filled Kynar)
11	0130-0043-0100	1	0.250" Bore Drive Magnet	11	0130-0043-0100	1	0.250" Bore Drive Magnet
13	0135-0135-0100	1	Motor Bracket (Plastic)	13	0135-0135-0100	1	Motor Bracket (Plastic)
14	0135-0169-1000	4	#8-32 x 1/2" Lg Hex Washer Head Screw (Stainless)	14	0135-0169-1000	4	#8-32 x 1/2" Lg Hex Washer Head Screw (Stainless)
15	0135-0114-1000	1	Motor 115V, 50/60Hz	15	0135-0114-1000	1	Motor 115V, 50/60Hz
TE-MDX-MT3				TE-MDK-MT3			
1	0823-0008-1000	6	#10-32 x 1-1/2" Lg. Screw (Stainless)	1	0823-0008-1000	6	#10-32 x 1-1/2" Lg. Screw (Stainless)
4	0135-0088-1000	1	Front Housing with 1/2" MPT Inlet and Outlet (Ryton)	4	0135-0152-1000	1	Front Housing with 1/2" MPT Inlet and Outlet (Glass Filled Kynar)
5	0135-0046-1000	1	1/16" CS x 2-7/8" OD "O" Ring (Viton)	5	0135-0046-1000	1	1/16" CS x 2-7/8" OD "O" Ring (Viton)
7	0130-0028-1000	1	Thrust Washer (Ceramic)	7	0130-0028-1000	1	Thrust Washer (Ceramic)
8	0130-0024-1000	1	Shaft (Ceramic)	8	0130-0024-1000	1	Shaft (Ceramic)
9	0135-0113-0200	1	Impeller (Ryton)	9	0135-0154-0200	1	Impeller (Glass Filled Kynar)
10	0135-0087-1000	1	Rear Housing (Ryton)	10	0135-0153-1000	1	Rear Housing (Glass Filled Kynar)
12	0130-0043-0300	1	0.375" Bore Drive Magnet	12	0130-0043-0300	1	0.375" Bore Drive Magnet
16	0135-0089-0000	1	Motor Bracket (Plastic)	16	0135-0089-0000	1	Motor Bracket (Plastic)
17	0150-0050-1000	4	#10-32 x 3/4" Long Screw (Stainless)	17	0150-0050-1000	4	#10-32 x 3/4" Long Screw (Stainless)
18	0150-0051-1000	4	#10 Washer	18	0150-0051-1000	4	#10 Washer
19	0150-213-1000	1	Motor, TEFC, 1 Phase 115/230V, 50/60Hz	19	0150-213-1000	1	Motor, TEFC, 1 Phase 115/230V, 50/60Hz

NOTE: Contact Factory for other materials and/or parts not listed.

Special voltage motors are available upon special order.

Materials in contact with the liquid: MDX-MT3 & TE-MDX-MT3: Ryton, Ceramic, Viton

MDK-MT3 & TE-MDK-MT3: Glass Filled Kynar, Ceramic, Viton

LIMITED WARRANTY: March pumps are guaranteed only against defects in workmanship or materials for a period of one year from date of manufacture pumping water. For the complete warranty and to register online go to www.marchpump.com/warranty-registration

For the General Installation Manual, see this link <https://www.marchpump.com/wp-content/uploads/2019/07/march-pump-general-installation-guide-0750-040.pdf>

or Scan QR Code

