



MARCH PUMPS

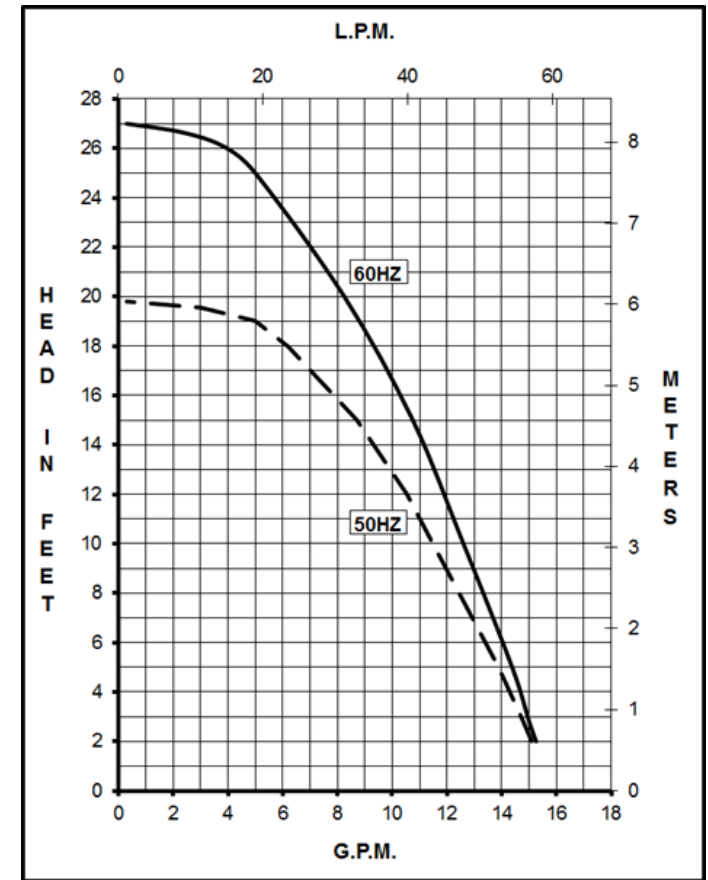
1819 PICKWICK AVE., GLENVIEW, IL 60026-1306, U.S.A
 PHONE: (847) 729-5300 - FAX: (847) 729-7062
 WWW.MARCHPUMP.COM

DESCRIPTION: Series 5 are centrifugal magnetic drive pumps, eliminating the need for a shaft seal. All are serviceable with a screwdriver. The "LC" model is hermetically encapsulated allowing the pump to run fully submerged or in open air for complete moisture protection. Model 5C-MD must be run submerged only. See the parts list for a breakdown of parts.

OPERATION: Pumps are not self-priming, lack a suction lift, and thus require a **flooded suction**. Pumps **cannot be run dry** because the impeller requires the liquid being pumped for lubrication. For liquids with a specific gravity greater than water, have a higher viscosity, or for elevated temperatures, a trimmed impeller may be necessary. For application assistance, contact March Pump.

ELECTRICAL: Motors are available in different electrical configurations such as 115 Volt 50/60 Hz, or 230 Volt 50/60 Hz, 1 phase. 115 Volt motors have a 6 ft. (1.8 m) cord with plug. 230 Volt motors have a 6 ft. (1.8 m) cord with no plug. The motors are U.L. listed and rated as continuous duty.

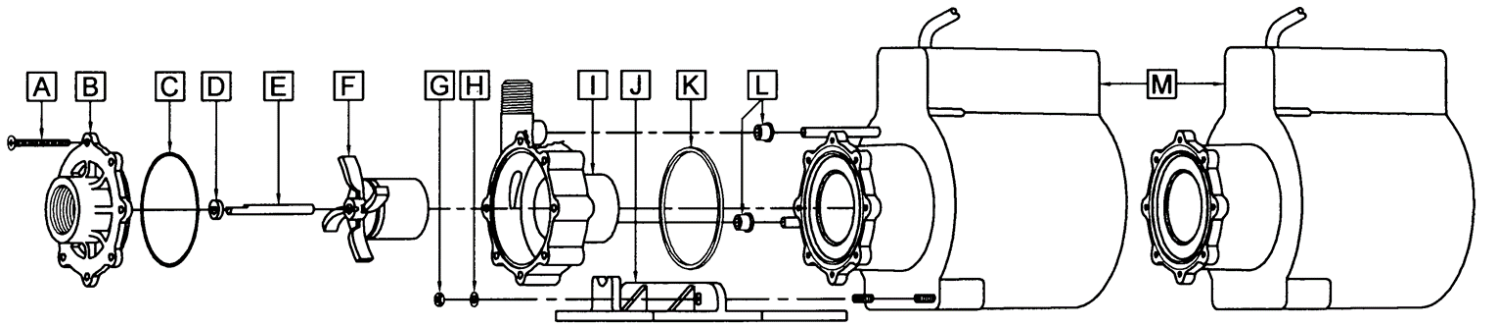
5C-MD, LC-5C-MD



Specifications		5C-MD	LC-5C-MD
Product	115V	0150-0004-0200	0150-0004-0500
	230V	0150-0004-0400	0150-0004-0600
Inlet-Outlet		1" FPT-1/2" MPT	1" FPT-1/2" MPT
Max Internal Pressure		50 psi (344 kPa)	25 psi (172 kPa)
Max Liquid Temperature		130F (54C)	130F (54C)

Model	60Hz												50Hz												Packed Weight Pounds
	Max Flow		Max Head			Electrical							Max Flow		Max Head			Electrical							
	GPM	LPM	FT	PSI	M	Ph	V	A	HP	kW	RPM	GPM	LPM	Feet	PSI	M	Ph	V	A	HP	kW	RPM			
5C-MD	14.5	54.9	27	11.7	8.2	1	115 or 230	1.6 or 0.9	1/8	0.093	3450	14.5	54.9	27	11.7	8.2	1	115 or 230	1.2 or 0.5	1/8	0.093	2850	7.89		
LC-5C-MD	14.5	54.9	27	11.7	8.2	1	115 or 230	1.6 or 0.9	1/8	0.093	3450	14.5	54.9	27	11.7	8.2	1	115 or 230	1.2 or 0.5	1/8	0.093	2850	8.02		

All specifications & data are based on pumping water & are intended as a guideline only. Specifications may vary with different motors.



5C-MD				LC-5C-MD			
Item	Part Number	QTY REQ	Description	Item	Part Number	QTY REQ	Description
A	0150-0021-1000	7	#8-32 x 1-3/4 Lg Screw (Stainless)	A	0150-0021-1000	7	#8-32 x 1-3/4 Lg Screw (Stainless)
B	0150-0032-1000	1	Cover with 1" FPT Inlet (Polypropylene)	B	0150-0032-1000	1	Cover with 1" FPT Inlet (Polypropylene)
C	0750-0987-1000	1	0.078 CS x 2.834 ID O-Ring (Buna N)	C	0750-0987-1000	1	0.078 CS x 2.834 ID O-Ring (Buna N)
D	0130-0028-1000	1	Thrust Washer (Ceramic)	D	0130-0028-1000	1	Thrust Washer (Ceramic)
E	0130-0024-1000	1	Shaft	E	0130-0024-1000	1	Shaft
F	0150-0030-0100	1	Impeller with Ceramic Magnet (Polypropylene and Magnet)	F	0150-0030-0100	1	Impeller with Ceramic Magnet (Polypropylene and Magnet)
				G	0802-0008-1000	2	#10-32 Nut (Stainless)
				H	0802-0006-1000	2	#10 Lock Washer (Stainless)
I	0150-0031-0100	1	Rear Housing With Ceramic Thrust Washer (Polypropylene and Ceramic)	I	0150-0153-0200	1	Rear Housing With Ceramic Thrust Washer and Plug (Polypropylene and Ceramic)
J				J	0150-0155-1000	1	Mounting Base
K	0150-0020-1000		Bracket O Ring (Buna N)	K	0150-0020-1000		Bracket O Ring (Buna N)
M	N/A	1	Epoxy Motor Assembly	M	N/A	1	Epoxy Motor Assembly
				W	0150-0192-0100	1	Wet End Kit (Items: A, B, C, D, E, F, I)

Materials in contact with the solution : **5C:** Polypropylene, Ceramic, Buna N, Ceramic Magnet, Noryl, Stainless Steel, Brass, Epoxy and Cord.

LC-5C-MD: Polypropylene, Buna N, Stainless Steel, Ceramic, Ceramic Magnet. When Submerged: Epoxy, Noryl, and Cord.

LIMITED WARRANTY: March pumps are guaranteed only against defects in workmanship or materials for a period of one year from date of manufacture pumping water. For the complete warranty and to register online go to www.marchpump.com/warranty-registration

NOTE: Contact Factory for other materials and/or parts not listed.

Special voltage motors are available upon special order.

0150-0060-1100-R-REV 6