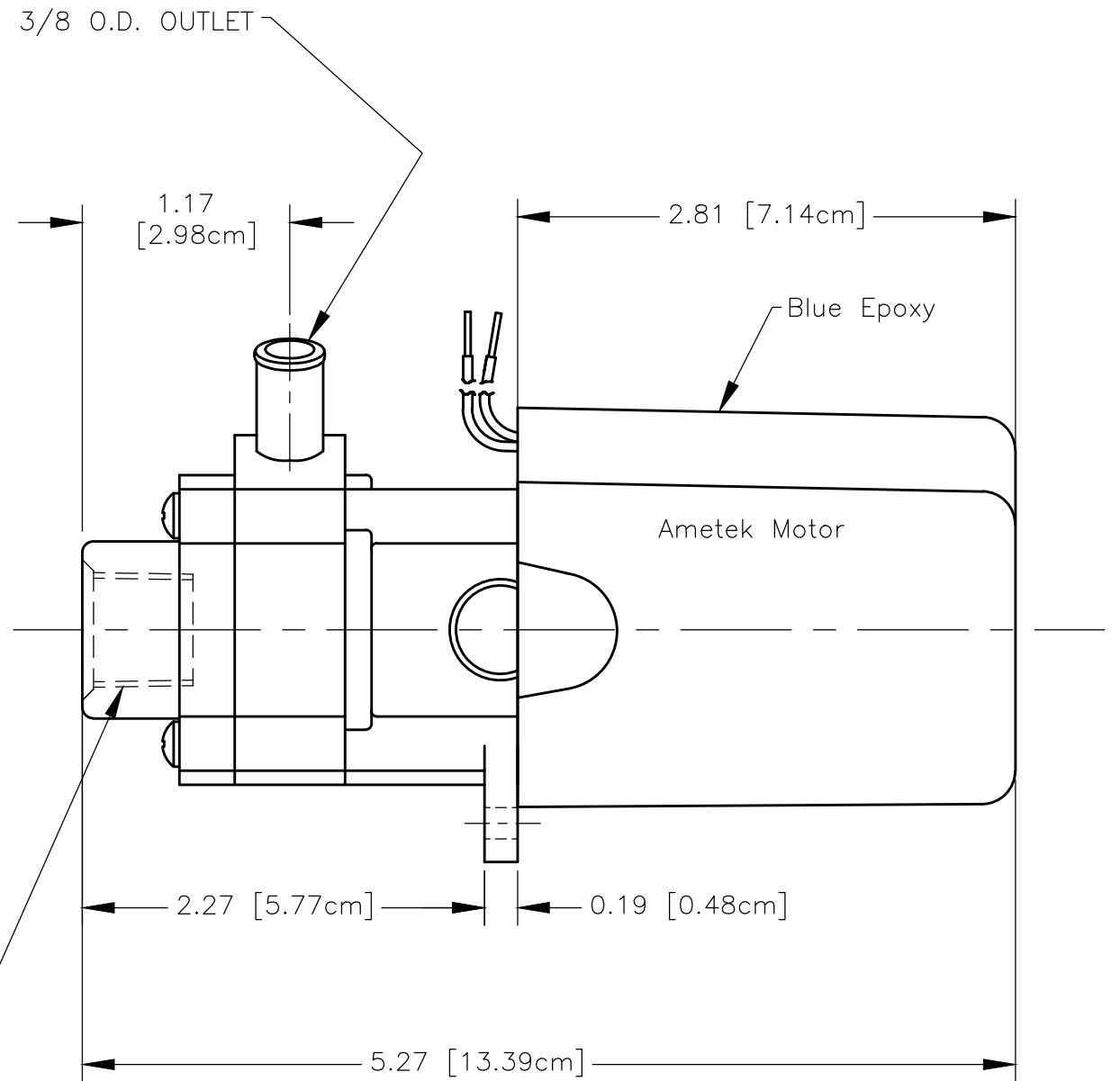
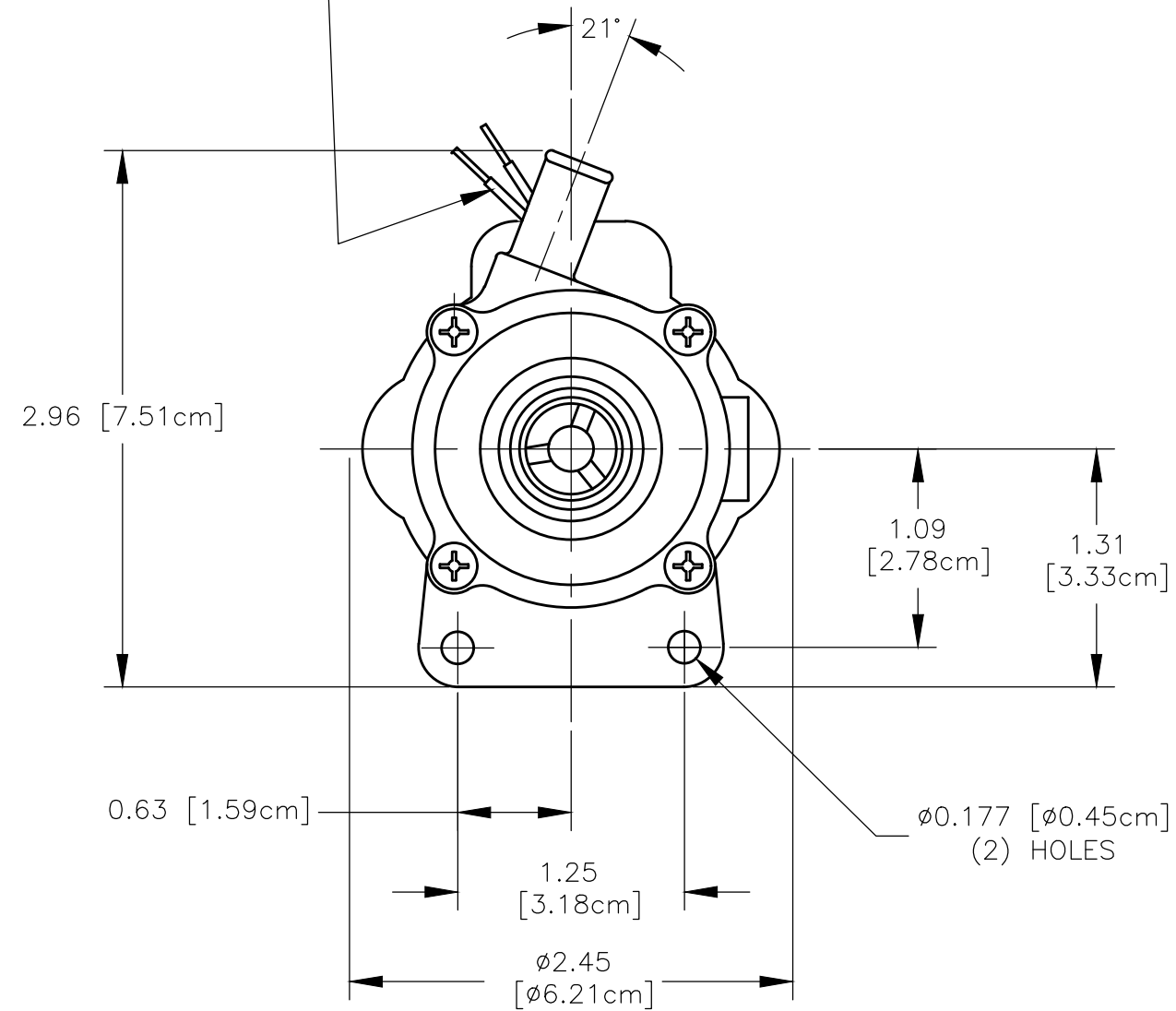


10" [25.4cm] LEADS APPROX.



Packed Weight: 1.31 lbs / 0.594 kg
 Unit Weight: 1.11 lbs / 0.503 kg

UNLESS NOTED OTHERWISE ALL DIMS. ARE IN INCHES.

MARCH MFG. INC.

1819 PICKWICK AVE.

GLENVIEW, ILLINOIS

DRAWN BY **JERRY**

CHKD BY **HANS**

FINISH

DRWG SIZE **B-11x17**

DATE **05/24/16**

DATE **05/24/16**

MOLD NO.

TOOL NO.

FIXTURE NO.

A HZ 11/18/16

Assy #0893-0061-0200 was 0893-0030-0200.

REV. INITIALS DATE E.C.O. CHANGE

DIMS. TOL.
 0.000 ±0.005
 0.00 ±0.03
 FRACTIONS ±1/64
 ANGLES ±1°

THIS DOCUMENT DISCLOSED SUBJECT MATTER IN WHICH MARCH MFG. INC. HAS PROPRIETARY RIGHTS, NEITHER RECEIPT NOR POSSESSION THEREOF CONFERS OR TRANSFERS ANY RIGHT TO REPRODUCE OR DISCLOSE THE DOCUMENT, ANY PART THEREOF, ANY INFORMATION CONTAINED THEREIN, OR ANY PHYSICAL ARTICLE OR DEVICE OR TO PRACTICE ANY METHOD OR PROCESS, EXCEPT BY WRITTEN PERMISSION FROM OR WRITTEN AGREEMENT WITH MARCH MFG. INC.

CUSTOMER MATERIAL

PART NAME *Dimensional Assy 893-09 12VDC Brushless Sub (Ametek Mtr)*

PART NO. **0893-0061-0200 d1** REV. **A**