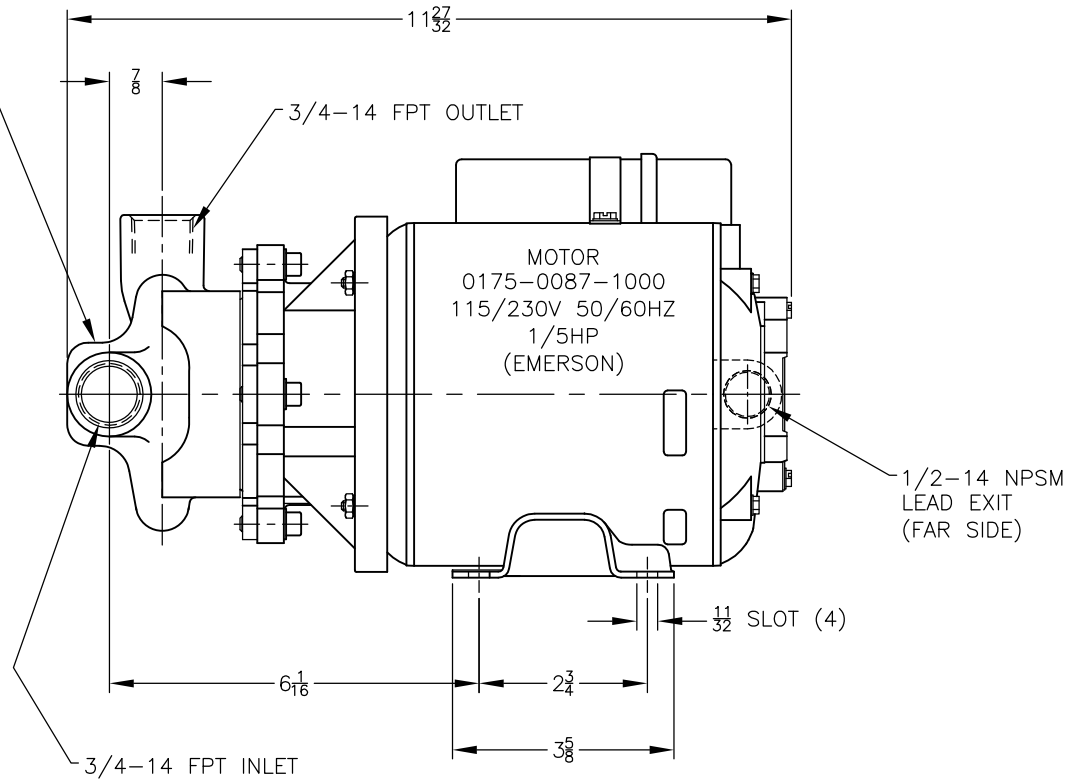


- 18GA. WIRES:
 (1) BLACK
 (1) WHITE
 (1) GREEN/YELLOW



UNLESS NOTED OTHERWISE ALL DIMS. ARE IN INCHES.

DIMS. TOL.
 0.000 ±0.005
 0.00 ±0.03
 FRACTIONS ±1/64
 ANGLES ±1°

MARCH MFG. INC.

1819 PICKWICK AVE. GLENVIEW, ILLINOIS

DRAWN BY **JERRY**

CHKD BY **HANS**

FINISH

DRWG SIZE **D-22x34**

DATE **02/09/07**

DATE **02/09/07**

MOLD NO.

TOOL NO.

FIXTURE NO.

THIS DOCUMENT DISCLOSED SUBJECT MATTER IN WHICH MARCH MFG. INC. HAS PROPRIETARY RIGHTS, NEITHER RECEIPT NOR POSSESSION THEREOF CONFERS OR TRANSFERS ANY RIGHT TO REPRODUCE OR DISCLOSE THE DOCUMENT, ANY PART THEREOF, ANY INFORMATION CONTAINED THEREIN, OR ANY PHYSICAL ARTICLE OR DEVICE OR TO PRACTICE ANY METHOD OR PROCESS, EXCEPT BY WRITTEN PERMISSION FROM OR WRITTEN AGREEMENT WITH MARCH MFG. INC.

PART NAME **Dimensional Assy 830-BR-T 115/230V 50/60HZ**

B	JBT	02/09/07	Redrawn in autocad. Dual voltage Emerson motor replaces Universal 0175-0007-1000 (115V) and 0175-0006-1000 (230V).
REV.	INITIALS	DATE	E.C.O.
CUSTOMER			CHANGE
MATERIAL			
PART NO.	0175-0005-0300 d1		REV. B