



MARCH PUMPS

1819 PICKWICK AVE., GLENVIEW, IL 60026-1306, U.S.A
 PHONE: (847) 729-5300 - FAX: (847) 729-7062
 WWW.MARCHPUMP.COM

DESCRIPTION:

Series 335 pumps are centrifugal magnetic drive pumps, eliminating the need for a shaft seal. Pumps can be serviced with an adjustable wrench. See the parts list for a breakdown of parts.

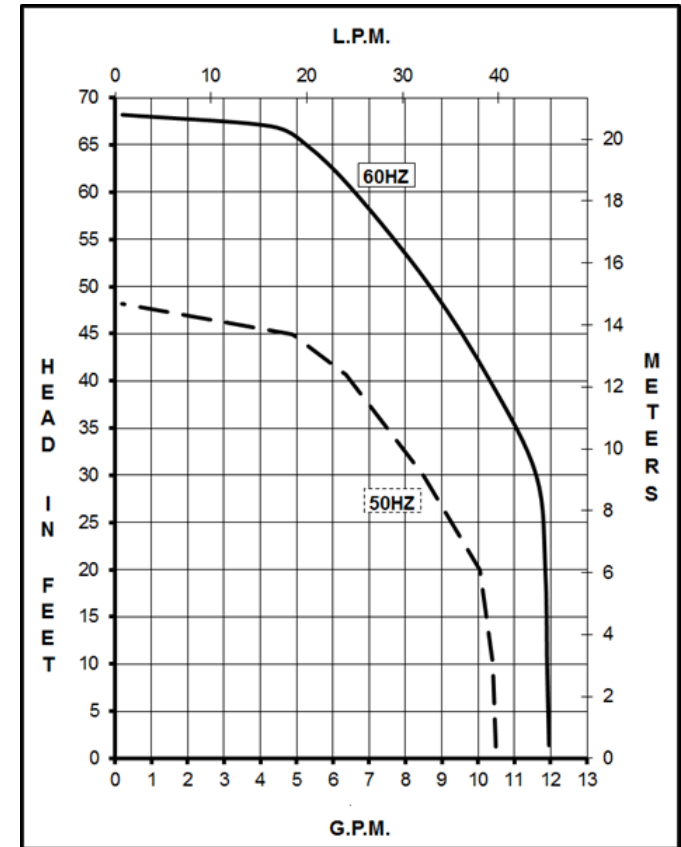
OPERATION:

Pumps are not self-priming, lack a suction lift, and thus require a **flooded suction**. Pumps **cannot be run dry** because the impeller requires the liquid being pumped for lubrication. The direction of motor rotation should be clockwise when facing the inlet of the pump. For liquids with a specific gravity greater than water, have a higher viscosity, or for elevated temperatures, a trimmed impeller may be necessary. For application assistance, contact March Pump.

ELECTRICAL:

335 pumps are dual voltage 115/230, 1 phase 50/60 Hz or dual voltage 230/460 60 Hz (190/380 50 Hz), 3 phase, TEFC. Motors are totally enclosed fan cooled and are U.L. listed as well as rated for continuous operation. All motors have a conduit box for electrical connections.

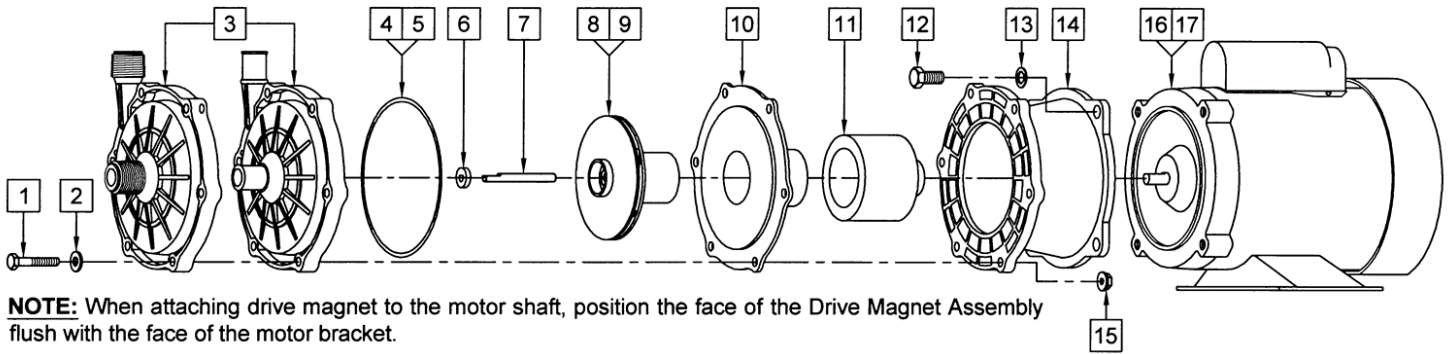
335-AP-MD, 335-CP-MD 1/3HP



Specifications		335-AP-MD	335-CP-MD
Product	1Ph	0335-0023-0100	0335-0022-0100
	3Ph	0335-0001-0400	0335-0001-0200
Inlet-Outlet		3/4"OD-3/4"OD	3/4"MPT-3/4"MPT
Max Internal Pressure		50PSI (344 kPa)	50PSI (344 kPa)
Max Liquid Temperature		190F (87C)	190F (87C)

Model	60Hz											50Hz											Packed Weight Pounds
	Max Flow		Max Head			Electrical						Max Flow		Max Head			Electrical						
	GPM	LPM	FT	PSI	M	Ph	V	A	HP	kW	RPM	GPM	LPM	Feet	PSI	M	Ph	V	A	HP	kW	RPM	
335-AP/CP	12	45.4	68	29.5	20.7	1	115/230	5.3/2.6	1/3	0.249	3450	10	37.8	47.9	20.8	14.6	1	110/220	5.7/2.8	1/3	0.249	2850	23.8
335-AP/CP	12	45.4	68	29.5	20.7	3	230/460	1.2/0.6	1/3	0.249	3450	10	37.8	47.9	20.8	14.6	3	190/380	1.2/0.6	1/4	0.186	2850	28.1

All specifications & data are based on pumping water & are intended as a guideline only. Specifications may vary with different motors.



NOTE: When attaching drive magnet to the motor shaft, position the face of the Drive Magnet Assembly flush with the face of the motor bracket.

335-AP-MD				335-CP-MD			
Item	Part Number	QTY REQ	Description	Item	Part Number	QTY REQ	Description
1	0153-0011-1000	6	1/4-20 x 1-1/2" Long Screw (Stainless Steel)	1	0153-0011-1000	6	1/4-20 x 1-1/2" Long Screw (Stainless Steel)
2	0157-0023-1000	6	1/4ID x 5/8"OD Washer (Stainless Steel)	2	0157-0023-1000	6	1/4ID x 5/8"OD Washer (Stainless Steel)
3	0335-0003-1000	1	Front Housing 3/4"OD (Polypropylene)	3	0335-0002-1000	1	Front Housing 3/4"MPT (Polypropylene)
4	0335-0009-1000	1	1/8 CS x 5OD" O-Ring (Viton)	4	0335-0009-1000	1	1/8 CS x 5OD" O-Ring (Viton)
6	0821-0079-1000	1	Thrust Washer (Ceramic)	6	0821-0079-1000	1	Thrust Washer (Ceramic)
7	0130-0024-1000	1	Shaft (Ceramic)	7	0130-0024-1000	1	Shaft (Ceramic)
8	0335-0005-0200	1	Impeller (Polypropylene)	8	0335-0005-0200	1	Impeller (Polypropylene)
10	0335-0004-0100	1	Rear Housing with Thrust Washer (Polypropylene)	10	0335-0004-0100	1	Rear Housing with Thrust Washer (Polypropylene)
11	0335-0017-0000	1	Drive Magnet	11	0335-0017-0000	1	Drive Magnet
12	0155-0017-1000	4	3/8-16 x 3/4 LG. Screw (Stainless Steel)	12	0155-0017-1000	4	3/8-16 x 3/4 LG. Screw (Stainless Steel)
13	0155-0019-1000	4	3/8 ID x 5/8"OD Washer (Stainless Steel)	13	0155-0019-1000	4	3/8 ID x 5/8"OD Washer (Stainless Steel)
14	0335-0010-1000	1	Motor Bracket (Plastic)	14	0335-0010-1000	1	Motor Bracket (Plastic)
15	0156-0053-1000	6	1/4-20" Hex Nut (Stainless)	15	0156-0053-1000	6	1/4-20" Hex Nut (Stainless)
16	0151-0119-1000	1	Motor, TEFC, 1Ph, 1/3HP	16	0151-0119-1000	1	Motor, TEFC, 1Ph, 1/3HP
17	0151-0039-1000	1	Motor, TEFC, 3Ph, 1/3HP	17	0151-0039-1000	1	Motor, TEFC, 3Ph, 1/3HP

NOTE: Contact Factory for other materials and/or parts not listed.

Special voltage motors are available upon special order.

Materials in contact with the liquid: 335-AP-MD & 335-CP-MD: Polypropylene, Viton, Ceramic

LIMITED WARRANTY: March pumps are guaranteed only against defects in workmanship or materials for a period of one year from date of manufacture pumping water. For the complete warranty and to register online go to www.marchpump.com/warranty-registration