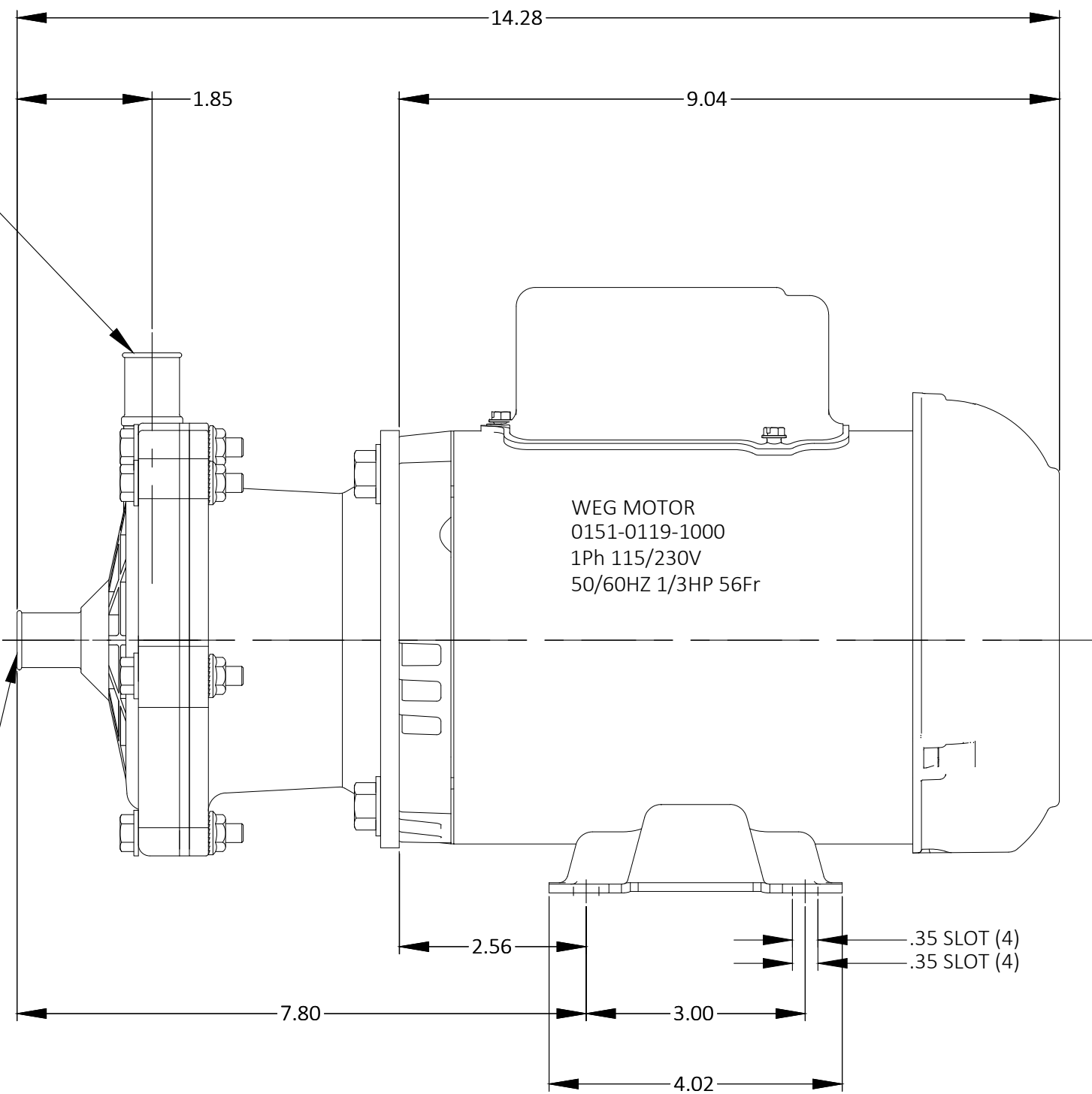


OUTLET FOR  
 $\frac{3}{4}$ " I.D.TUBING

INLET FOR  
 $\frac{3}{4}$ " I.D.TUBING



WEG MOTOR  
0151-0119-1000  
1Ph 115/230V  
50/60HZ 1/3HP 56Fr

DRAWING SIZE: D-22x34  
UNLESS NOTED OTHERWISE  
ALL DIMS ARE IN INCHES.

**MARCH MFG. INC.**  
1819 PICKWICK AVE. GLENVIEW, ILLINOIS

DIMS. TOLERANCE  
0.00 ±0.03  
0.000 ±0.005  
FRACTIONS ±1/64  
ANGLES ±1°

THIS DOCUMENT DISCLOSED SUBJECT MATTER IN WHICH MARCH MFG. INC. HAS PROPRIETARY RIGHTS, NEITHER RECEIPT NOR POSSESSION THEREOF CONFERS OR TRANSFERS ANY RIGHT TO REPRODUCE OR DISCLOSE THE DOCUMENT, ANY PART THEREOF, ANY INFORMATION CONTAINED THEREIN, OR ANY PHYSICAL ARTICLE OR DEVICE OR TO PRACTICE ANY METHOD OR PROCESS, EXCEPT BY WRITTEN PERMISSION FROM OR WRITTEN AGREEMENT WITH MARCH MFG. INC.

DRAWN CA 10/13/21 MOLD # ----  
CHECKED HZ 10/13/21 FIXTURE # ----  
CUSTOMER ----

REV. INITIALS DATE CHANGE  
MATERIAL ----

PART NAME Dimensional Assy 335AP-MD 1Ph 1/3HP (WEG Motor)

PART # 0335-0023-0100 d1

REV. ----