



MARCH PUMPS

1819 PICKWICK AVE., GLENVIEW, IL 60026-1306, U.S.A
 PHONE: (847) 729-5300 - FAX: (847) 729-7062
 WWW.MARCHPUMP.COM

TE-3MS-MD

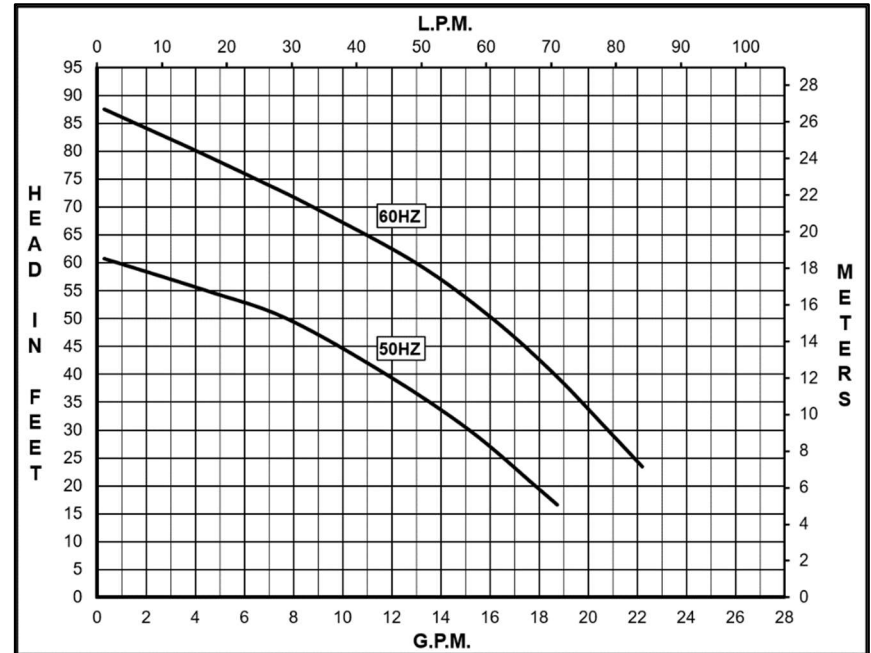
DESCRIPTION & OPERATION: TE-3MS-MD is a centrifugal magnetic drive multi-stage pump. See the parts list for a breakdown of parts. Pumps are not self-priming, lack a suction lift, and thus require a **flooded suction**. Pumps **cannot be run dry** because the impeller requires the liquid being pumped for lubrication. The direction of the motor rotation should be clockwise when facing the inlet of the pump. For liquids with a specific gravity greater than water, have a higher viscosity, or for elevated temperatures a trimmed impeller may be necessary. For application assistance, contact March Pump.

ELECTRICAL:

Configurations:
 1 Phase 115/230 Volt 60Hz, 110/220 Volt 50Hz
 3 Phase 230/460 Volt 60Hz, 190/380 Volt 50Hz

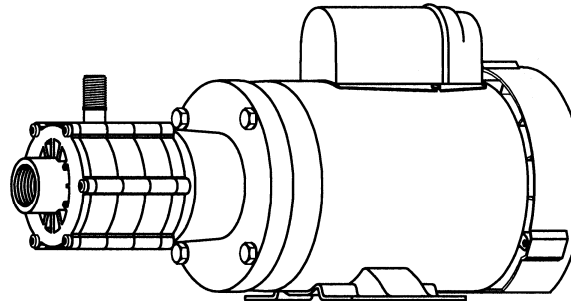
Motors are totally enclosed fan cooled and are U.L. listed as well as rated for continuous operation. All motors have a conduit box for electrical connections.

LIMITED WARRANTY: March pumps are guaranteed only against defects in workmanship or materials for a period of one year from date of manufacture pumping water. For the complete warranty and to register online go to www.marchpump.com/warranty-registration



SPECIFICATIONS

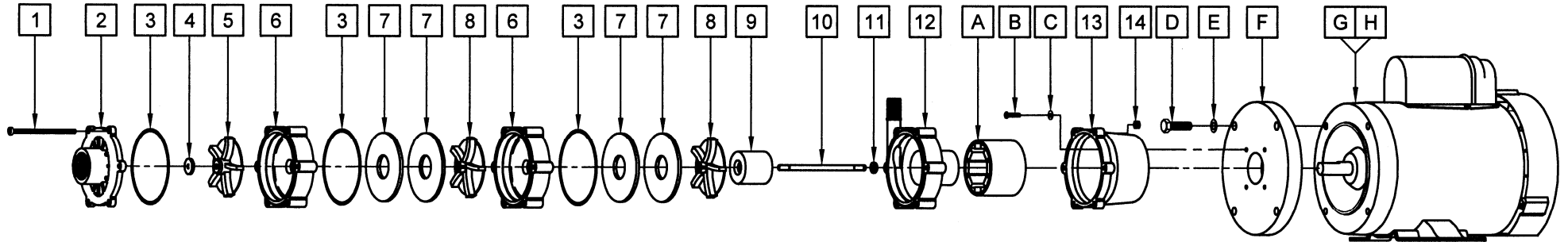
TE-3MS-MD



Product #	1 Phase	1275-0002-0100																													
	3 Phase	1275-0002-0200																													
Inlet - Outlet		1" FPT - 1/2" MPT																													
Max Internal Pressure		43 psi (296 kPa)																													
Max Liquid Temperature		190 °F (87 °C)																													
MODEL	60 Hz											50 Hz											Height		Width		Length		Unit Weight		
	Max Flow		Max Head			ELECTRICAL						Max Flow		Max Head			ELECTRICAL						Inches	cm	Inches	cm	Inches	cm	Lbs	kg	
TE-3MS-MD	gpm	lpm	ft	psi	m	Ph	V	A	Hp	kW	Rpm	gpm	lpm	ft	psi	m	Ph	V	A	Hp	kW	Rpm									
	22	83	87	37.7	26.5	1	115	12.6	1.00	0.75	3450	18.4	70	60.6	26.2	18.5	1	110	14.3	1.00	0.75	2850	8.16	20.7	9.10	23.1	17.81	45.2	39	17.6	
							230	6.2											220	7.1											
	22	83	87	37.7	26.5	3	230	3.0	1.00	0.75	3450	18.4	70	60.6	26.2	18.5	3	190	3.3	1.00	0.75	2850	7.14	18.1	9.69	24.6	17.41	44.2	28	12.7	
							460	1.5											380	1.6											

All specifications & data are based on pumping water & are intended as a guideline only. Specifications may vary with different motors.

PARTS LIST



NOTE: When attaching drive magnet to the motor shaft, position the front face of the drive magnet 3/16 inch below the front face of the motor bracket.

#	TE-3MS-MD	
1	1275-0009-1000	6 M5 x 90 mm Long Pan Head Screws
2	1275-0010-1000	1 Cover with 1" Threaded Inlet (Polypropylene)
3	1275-0011-1000	3 87 mm ID x 3 mm CS "O" Ring (Viton)
4	1275-0012-1000	1 3/4" Diameter Front Thrust Washer (Ceramic)
5	1275-0013-1000	1 Front Impeller (Brown Polypropylene)
6	1275-0014-1000	2 Stage Housing (Polypropylene)
7	1275-0015-1000	4 Disk (Polypropylene)
8	1275-0016-1000	2 Rear Impeller (Polypropylene)
9	1275-0017-1000	1 Encapsulated Impeller Magnet (Polypropylene)
10	1275-0018-1000	1 Shaft (Ceramic)
11	1275-0019-1000	1 1/2" Diameter Rear Thrust Washer (Ceramic)
12	1275-0020-1000	1 Rear Housing with 1/2" Threaded Outlet (Polypropylene)
13	1275-0021-1000	1 Motor Bracket (Polypropylene)
14	1275-0022-1000	6 M5 Hex Nut
A	1275-0004-0000	1 Drive Magnet
B	0150-0050-1000	4 #10-32 x 3/4" Long Screw (Stainless)
C	0150-0051-1000	4 #10 Washer (Stainless)
D	0161-0042-1000	4 3/8"-16 x 1-1/4" Long Screw (Stainless)
E	0155-0019-1000	4 3/8" ID x 5/8" OD Washer (Stainless)
F	1275-0001-1000	1 Spacer (Plastic)
G	0155-0173-1000	1 1 Phase TEFC Motor, 1HP, 115/230 V, 60 Hz, 110/220 V, 50Hz
H	0155-0174-1000	1 3 Phase TEFC Motor, 1HP, 230/460 V, 60 Hz, 190/380 V, 50Hz (Not Shown)
W	1275-0007-0100	1 Pump Kit (Items 1-14)

Materials in Contact with Solution:

Polypropylene, Viton, Ceramic

NOTE: Contact Factory for other materials and/or parts not listed.

1275-0008-1000 R3