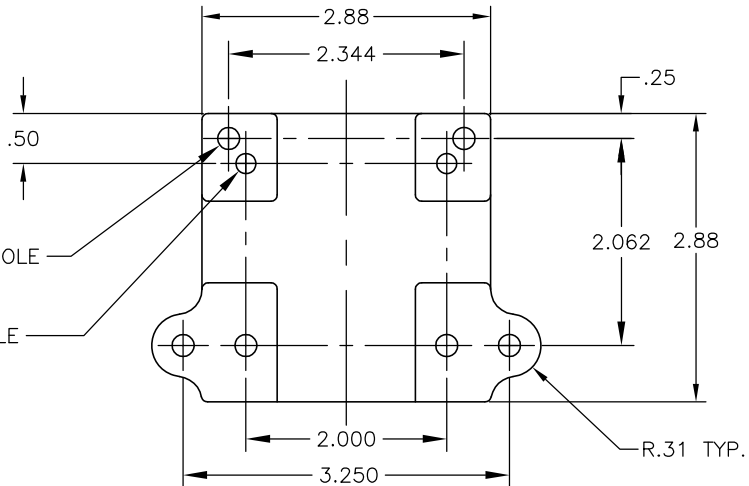
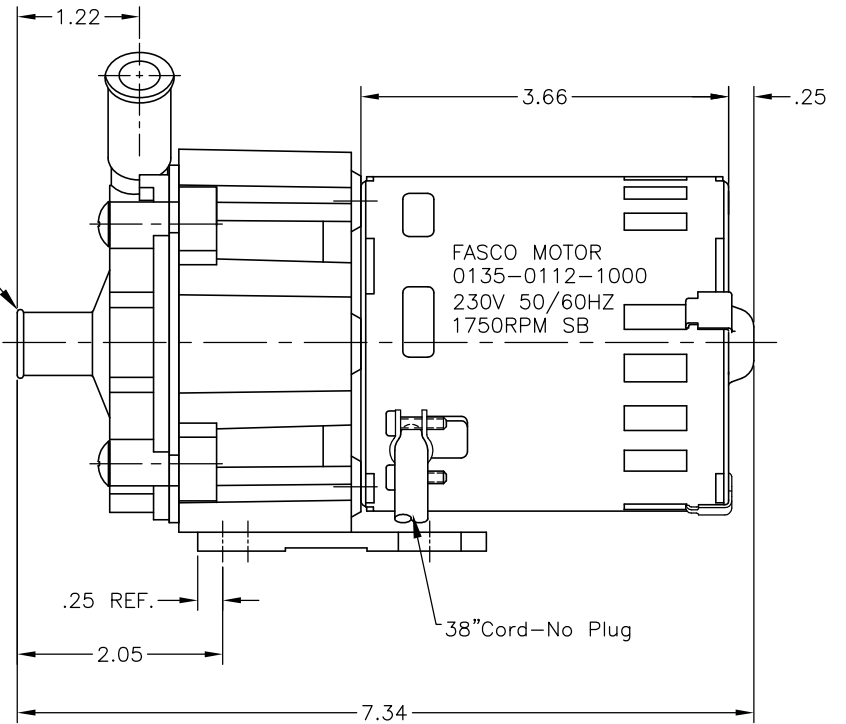


INLET FOR  
5/8" I.D.  
TUBING



6x  $\phi$ .219 HOLE

2x  $\phi$ .199 HOLE

R.31 TYP.

# MARCH MFG. INC.

1819 PICKWICK AVE.

GLENVIEW, ILLINOIS

DRAWN BY **JERRY**  
DATE **08/14/07**

CHKD BY **HANS**  
DATE **08/14/07**

FINISH

MOLD NO.

TOOL NO.

DRWG SIZE **13 x 20**  
FIGURE NO.

E	JBT	08/14/07	Redrawn in autocad.
REV.	INITIALS	DATE	E.C.O. CHANGE

UNLESS NOTED OTHERWISE ALL DIMS. ARE IN INCHES.

DIMS. TOL.  
0.000  $\pm$ 0.005  
0.00  $\pm$ 0.03  
FRACTIONS  $\pm$ 1/64  
ANGLES  $\pm$ 1'

THIS DOCUMENT DISCLOSED SUBJECT MATTER IN WHICH MARCH MFG. INC. HAS PROPRIETARY RIGHTS, NEITHER RECEIPT NOR POSSESSION THEREOF CONFERS OR TRANSFERS ANY RIGHT TO REPRODUCE OR DISCLOSE THE DOCUMENT, ANY PART THEREOF, ANY INFORMATION CONTAINED THEREIN, OR ANY PHYSICAL ARTICLE OR DEVICE OR TO PRACTICE ANY METHOD OR PROCESS, EXCEPT BY WRITTEN PERMISSION FROM OR WRITTEN AGREEMENT WITH MARCH MFG. INC.

CUSTOMER MATERIAL

PART NAME **Dimensional Assy MDX-5/8 230V 50/60HZ (w/Fasco Mtr)**

PART NO. **0135-0163-0200 d1** REV. **E**