



# MARCH PUMPS

1819 PICKWICK AVE., GLENVIEW, IL 60026-1306, U.S.A  
 PHONE: (847) 729-5300 - FAX: (847) 729-7062  
 WWW.MARCHPUMP.COM

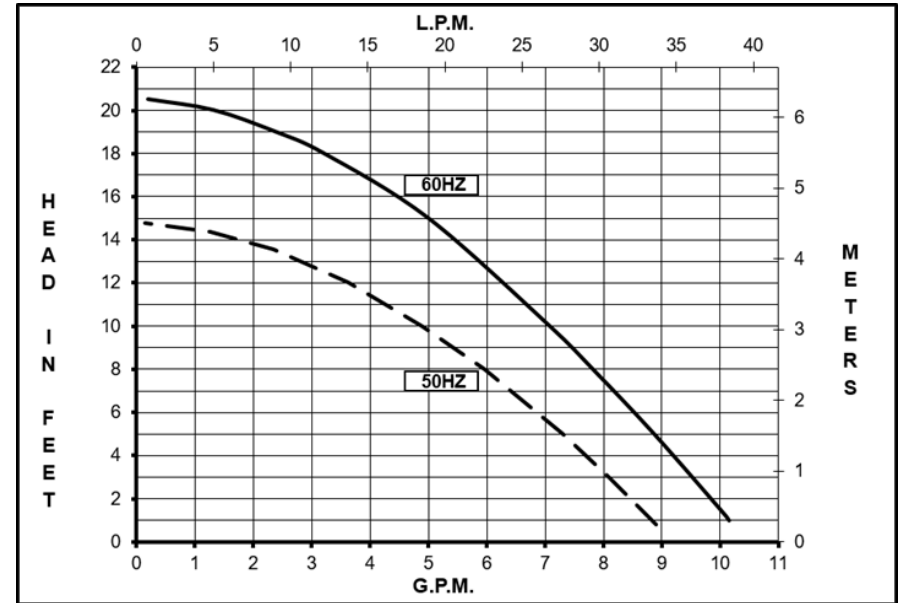
## AC-3CP-MD, AC-3AP-MD, BC-3CP-MD, BC-3AP-MD

**DESCRIPTION:** Series 3 are centrifugal magnetic drive pumps, eliminating the need for a shaft seal. Pumps are serviceable with a screwdriver. See the parts list for a breakdown of parts.

**OPERATION:** Pumps are not self-priming, lack a suction lift, and thus require a **flooded suction**. Pumps **cannot be run dry** because the impeller requires the liquid being pumped for lubrication. For liquids with a specific gravity greater than water, have a higher viscosity, or for elevated temperatures, a trimmed impeller may be necessary. For application assistance, contact March Pump.

**ELECTRICAL:** Motors are available in different electrical configurations such as 115 Volt 60 Hz, 115 Volt 50/60 Hz, or 230 Volt 50/60 Hz, 1 phase. The motors are not dual voltage. The motors are U.L. listed and rated as continuous duty.

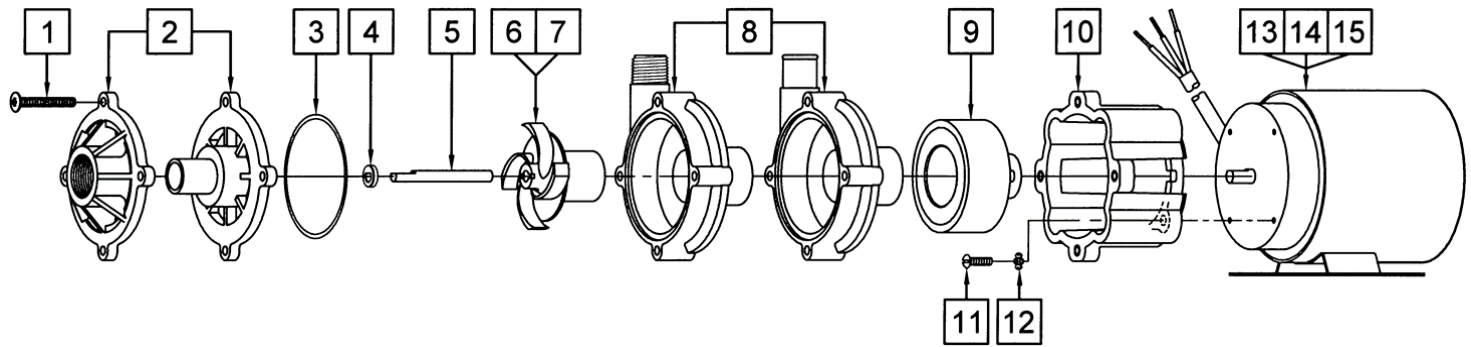
**Model Abbreviations:** C: Threaded Inlet/Outlet, A: Smooth Inlet/Outlet, AC: Air Cooled Motor, BC: Blast Cooled Motor



Specifications		AC-3CP-MD	AC-3AP-MD	BC-3CP-MD	BC-3AP-MD
Product	115V	0130-0018-0100	0130-0103-0100	0130-0018-0300	0130-0105-0100
	230V	0130-0018-0200	0130-0103-0200	0130-0018-0600	0130-0105-0200
Inlet-Outlet		3/4" FPT- 1/2" MPT	3/4" OD-3/4" OD	3/4" FPT- 1/2" MPT	3/4" OD-3/4" OD
Max Internal Pressure		50PSI (344 kPa)	50PSI (344 kPa)	50PSI (344kPa)	50PSI (344 kPa)
Max Liquid Temperature		190F/87C	190F/87C	190F/87C	190F/87C

Model	60Hz											50Hz											Packed Weight Pounds
	Max Flow		Max Head			Electrical						Max Flow		Max Head			Electrical						
	GPM	LPM	FT	PSI	M	Ph	Voltage	AMPS	HP	KW	RPM	GPM	LPM	Feet	PSI	M	Ph	Voltage	AMPS	HP	KW	RPM	
AC-3CP-MD	10	37.8	20.5	8.9	6.25	1	115 or 230	2.3 or 0.9	1/15	0.04	3450	8.7	33	14.7	6.4	4.5	1	230	1.0	1/15	0.04	2850	7.5
AC-3AP-MD	10	37.8	20.5	8.9	6.25	1	115 or 230	2.3 or 0.9	1/15	0.04	3450	8.7	33	14.7	6.4	4.5	1	230	1.0	1/15	0.04	2850	7.5
BC-3CP-MD	10	37.8	20.5	8.9	6.25	1	115 or 230	2.1 or 1	1/14 or 1/15	0.05 or 0.04	3450	8.7	33	14.7	6.4	4.5	1	115 or 230	2.4 or 1.1	1/14 or 1/15	0.05 or 0.04	2850	8.1
BC-3AP-MD	10	37.8	20.5	8.9	6.25	1	115 or 230	2.1 or 1	1/14 or 1/15	0.05 or 0.04	3450	8.7	33	14.7	6.4	4.5	1	115 or 230	2.4 or 1.1	1/14 or 1/15	0.05 or 0.04	2850	8.1

All specifications & data are based on pumping water & are intended as a guideline only. Specifications may vary with different motors.



**NOTE:** When attaching the Drive Magnet to the motor shaft, position the face of the Drive Magnet 3/32 inch below the face of the Motor Bracket.

AC-3CP-MD				AC-3AP-MD			
Item	Part Number	QTY REQ	Description	Item	Part Number	QTY REQ	Description
1	0823-0008-1000	4	#10 Screw x 1-1/2" Long Screw (Stainless)	1	0823-0008-1000	4	#10 Screw x 1-1/2" Long Screw (Stainless)
2	0130-0021-1000	1	Cover with 3/4" FPT Inlet (Polypropylene)	2	0130-0064-1000	1	Cover with 3/4" OD Inlet (Polypropylene)
3	0130-0011-1000	1	3/32"CS x 2-13/16"OD "O" Ring (Buna)	3	0130-0011-1000	1	3/32"CS x 2-13/16"OD "O" Ring (Buna)
4	0130-0028-1000	1	Thrust Washer (Ceramic)	4	0130-0028-1000	1	Thrust Washer (Ceramic)
5	0130-0024-1000	1	Shaft (Ceramic)	5	0130-0024-1000	1	Shaft (Ceramic)
6	0130-0020-0100	1	Impeller with Bare Ceramic Magnet (Polypropylene)	6	0130-0020-0100	1	Impeller with Bare Ceramic Magnet (Polypropylene)
8	0130-0018-1000	1	Rear Housing with 1/2" MPT Outlet (Polypropylene)	8	0130-0102-1000	1	Rear Housing with 3/4" OD Outlet (Polypropylene)
9	0130-0043-0200	1	Drive Magnet	9	0130-0043-0200	1	Drive Magnet
10	0130-0066-0100	1	Motor Bracket (Plastic)	10	0130-0066-0100	1	Motor Bracket (Plastic)
11	0618-0027-1000	4	#8-32 x 5/8" Long Screw (Stainless)	11	0618-0027-1000	4	#8-32 x 5/8" Long Screw (Stainless)
12	0140-0014-1000	4	#8 Lock Washer (Steel)	12	0140-0014-1000	4	#8 Lock Washer (Steel)
13	0130-0022-1000	1	AC Motor, 115V, 60hz	13	0130-0022-1000	1	AC Motor, 115V, 60hz
15	0130-0049-1200	1	AC or BC Motor, 230V, 50/60Hz	15	0130-0049-1200	1	AC or BC Motor, 230V, 50/60Hz
W	0130-0113-0200	1	Wet End Kit (Items: 1, 2, 3, 4, 5, 6, 8)				
BC-3CP-MD				BC-3AP-MD			
1	0823-0008-1000	4	#10 Screw x 1-1/2" Long Screw (Stainless)	1	0823-0008-1000	4	#10 Screw x 1-1/2" Long Screw (Stainless)
2	0130-0021-1000	1	Cover with 3/4" FPT Inlet (Polypropylene)	2	0130-0064-1000	1	Cover with 3/4" OD Inlet (Polypropylene)
3	0130-0033-1000	1	3/32"CS x 2-13/16"OD "O" Ring (Viton)	3	0130-0033-1000	1	3/32"CS x 2-13/16"OD "O" Ring (Viton)
4	0130-0028-1000	1	Thrust Washer (Ceramic)	4	0130-0028-1000	1	Thrust Washer (Ceramic)
5	0130-0024-1000	1	Shaft (Ceramic)	5	0130-0024-1000	1	Shaft (Ceramic)
7	0130-0069-0200	1	Encapsulated Impeller (Polypropylene)	7	0130-0069-0200	1	Encapsulated Impeller (Polypropylene)
8	0130-0018-1000	1	Rear Housing with 1/2" MPT Outlet (Polypropylene)	8	0130-0102-1000	1	Rear Housing with 3/4" OD Outlet (Polypropylene)
9	0130-0043-0200	1	Drive Magnet	9	0130-0043-0200	1	Drive Magnet
10	0130-0066-0100	1	Motor Bracket (Plastic)	10	0130-0066-0100	1	Motor Bracket (Plastic)
11	0618-0027-1000	4	#8-32 x 5/8" Long Screw (Stainless)	11	0618-0027-1000	4	#8-32 x 5/8" Long Screw (Stainless)
12	0140-0014-1000	4	#8 Lock Washer (Steel)	12	0140-0014-1000	4	#8 Lock Washer (Steel)
14	0130-0140-1200	1	BC Motor, 115V, 50/60Hz (Not Shown)	14	0130-0140-1200	1	BC Motor, 115V, 50/60Hz (Not Shown)
15	0130-0049-1200	1	AC or BC Motor, 230V, 50/60Hz	15	0130-0049-1200	1	AC or BC Motor, 230V, 50/60Hz
W	0130-0114-0200	1	Wet End Kit (Items: 1, 2, 3, 4, 5, 7, 8)				

NOTE: Contact Factory for other materials and/or parts not listed.

Special voltage motors are available upon special order.

**Materials in Contact with Solution:** AC: Polypropylene, Ceramic, Buna N, Ceramic Magnet. BC: Polypropylene, Ceramic, Viton

**LIMITED WARRANTY:** March pumps are guaranteed only against defects in workmanship or materials for a period of one year from date of manufacture pumping water. For the complete warranty and to register online go to [www.marchpump.com/warranty-registration](http://www.marchpump.com/warranty-registration)